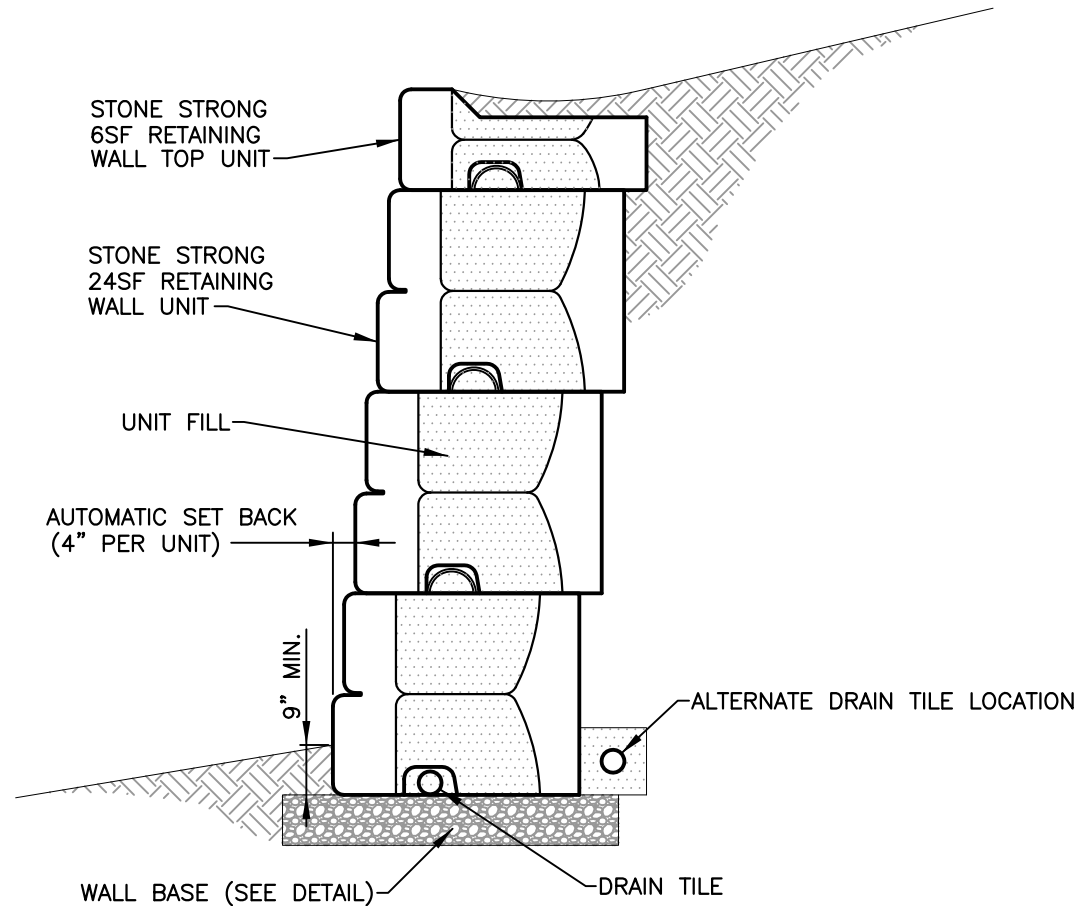


NOTES:

1. DRAIN TILE MAY BE ELIMINATED AT THE DISCRETION OF THE SITE ENGINEER.
2. DAYLIGHT DRAIN TILE AT LOW POINTS THROUGH WALL FACE OR AT ENDS; MAXIMUM SPACING 100 FEET OR PER SITE CONDITIONS.



GRAVITY WALL CROSS SECTION

NOT TO SCALE

DISCLAIMER:

These typical details are preliminary and conceptual in nature. They are provided for general information purposes only. Anyone making use of these details and related information does so at their own risk and assumes all liability for such use. Site specific design should be performed by a licensed Professional Engineer based on actual site conditions, materials, and local practices.

Stone Strong LLC retains all common law, statutory, and other reserved rights to these drawings including the copyright. Limited license is granted to copy, reproduce, or modify the details to prepare construction drawings for Stone Strong retaining walls. Stone Strong LLC makes no warranties, either expressed or implied, of merchantability or fitness for any particular purpose, and accepts no responsibility for the accuracy, suitability, or completeness of information contained herein.



www.stonestrong.com

PROJECT

CROSS SECTIONS
STONE STRONG SYSTEMS

DATE: 2/10/16 | FILE: 01_24sf.XSec.Grav

STONE STRONG
6SF RETAINING
WALL TOP UNIT

STONE STRONG
24SF RETAINING
WALL UNIT

UNIT FILL

AUTOMATIC SET BACK
(4" PER UNIT)

9" MIN.

WALL BASE (SEE DETAIL)

DRAIN TILE

STONE STRONG
24-62 RETAINING
WALL UNIT

STONE STRONG
24-86 RETAINING
WALL UNIT

ALTERNATE DRAIN TILE LOCATION

NOTE:
IN SOME CASES, TWO 24-62 OR 24-86
UNITS MAY BE REQUIRED FOR INTERNAL
STABILITY.

CHECK ON AVAILABILITY OF ALL UNITS w/ LOCAL PRODUCER/
DEALER. SOME UNITS MAY HAVE LIMITED AVAILABILITY.

GRAVITY WALL CROSS SECTION w/EXTENDED BASE UNITS

NOT TO SCALE

DISCLAIMER:

These typical details are preliminary and conceptual in nature. They are provided for general information purposes only. Anyone making use of these details and related information does so at their own risk and assumes all liability for such use. Site specific design should be performed by a licensed Professional Engineer based on actual site conditions, materials, and local practices.

Stone Strong LLC retains all common law, statutory, and other reserved rights to these drawings including the copyright. Limited license is granted to copy, reproduce, or modify the details to prepare construction drawings for Stone Strong retaining walls. Stone Strong LLC makes no warranties, either expressed or implied, of merchantability or fitness for any particular purpose, and accepts no responsibility for the accuracy, suitability, or completeness of information contained herein.

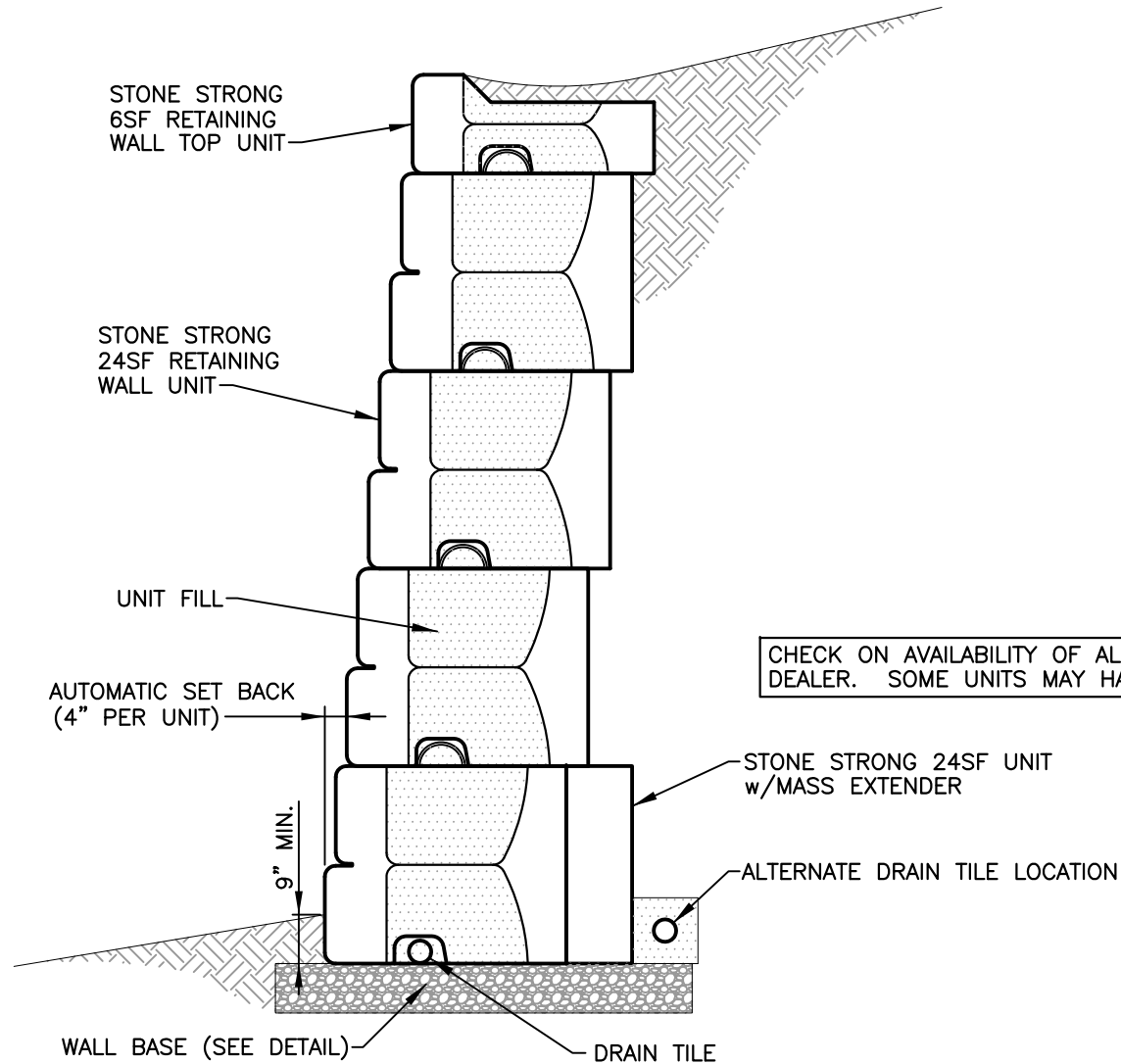


www.stonestrong.com

PROJECT

CROSS SECTIONS
STONE STRONG SYSTEMS

DATE: 2/10/16 | FILE: 02_HD Sect



GRAVITY WALL CROSS SECTION w/MASS EXTENDER

NOT TO SCALE

DISCLAIMER:

These typical details are preliminary and conceptual in nature. They are provided for general information purposes only. Anyone making use of these details and related information does so at their own risk and assumes all liability for such use. Site specific design should be performed by a licensed Professional Engineer based on actual site conditions, materials, and local practices.

Stone Strong LLC retains all common law, statutory, and other reserved rights to these drawings including the copyright. Limited license is granted to copy, reproduce, or modify the details to prepare construction drawings for Stone Strong retaining walls. Stone Strong LLC makes no warranties, either expressed or implied, of merchantability or fitness for any particular purpose, and accepts no responsibility for the accuracy, suitability, or completeness of information contained herein.



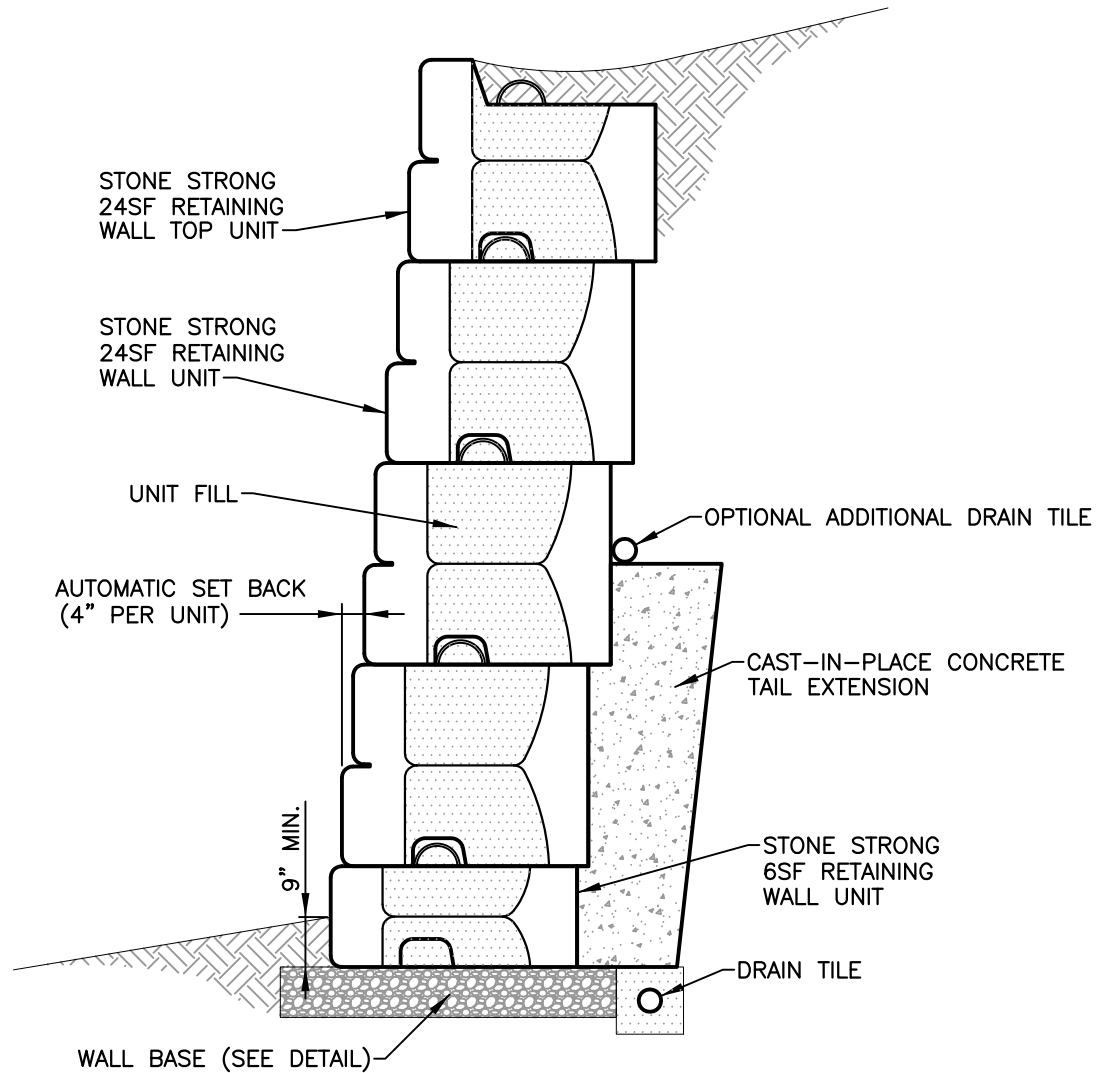
www.stonestrong.com

PROJECT

CROSS SECTIONS
STONE STRONG SYSTEMS

DATE: 2/10/16

FILE: 03_24sf.XSec.Mass



GRAVITY WALL CROSS SECTION w/CONCRETE TAIL EXTENSION

NOT TO SCALE

DISCLAIMER:

These typical details are preliminary and conceptual in nature. They are provided for general information purposes only. Anyone making use of these details and related information does so at their own risk and assumes all liability for such use. Site specific design should be performed by a licensed Professional Engineer based on actual site conditions, materials, and local practices.

Stone Strong LLC retains all common law, statutory, and other reserved rights to these drawings including the copyright. Limited license is granted to copy, reproduce, or modify the details to prepare construction drawings for Stone Strong retaining walls. Stone Strong LLC makes no warranties, either expressed or implied, of merchantability or fitness for any particular purpose, and accepts no responsibility for the accuracy, suitability, or completeness of information contained herein.



www.stonestrong.com

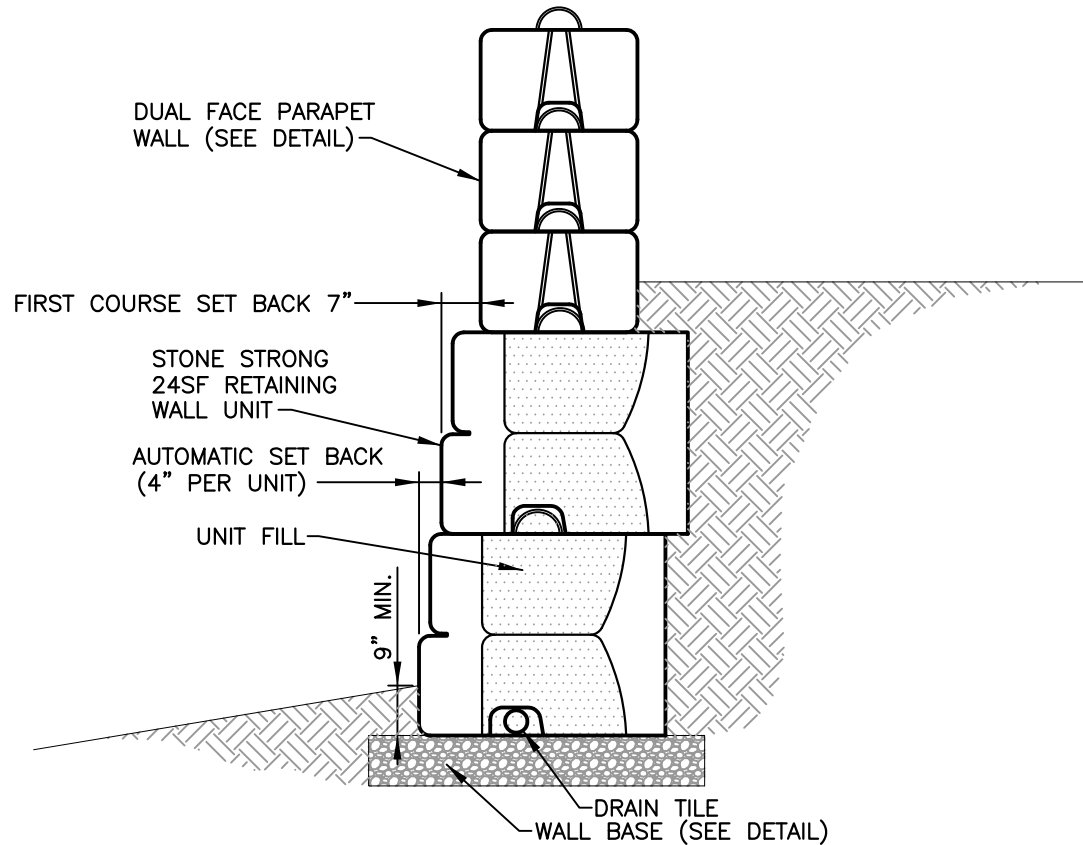
PROJECT

CROSS SECTIONS
STONE STRONG SYSTEMS

DATE: 2/10/16

FILE: 04_24sf.XSec.CIP

NOTE:
 USER SHOULD DETERMINE
 CAPABILITY OR SUITABILITY OF
 PARAPET FOR BARRIER LOADING



GRAVITY WALL CROSS SECTION w/DUAL FACE PARAPET WALL
 NOT TO SCALE

CHECK ON AVAILABILITY OF ALL UNITS w/ LOCAL PRODUCER/
 DEALER. SOME UNITS MAY HAVE LIMITED AVAILABILITY.

DISCLAIMER:

These typical details are preliminary and conceptual in nature. They are provided for general information purposes only. Anyone making use of these details and related information does so at their own risk and assumes all liability for such use. Site specific design should be performed by a licensed Professional Engineer based on actual site conditions, materials, and local practices.

Stone Strong LLC retains all common law, statutory, and other reserved rights to these drawings including the copyright. Limited license is granted to copy, reproduce, or modify the details to prepare construction drawings for Stone Strong retaining walls. Stone Strong LLC makes no warranties, either expressed or implied, of merchantability or fitness for any particular purpose, and accepts no responsibility for the accuracy, suitability, or completeness of information contained herein.



www.stonestrong.com

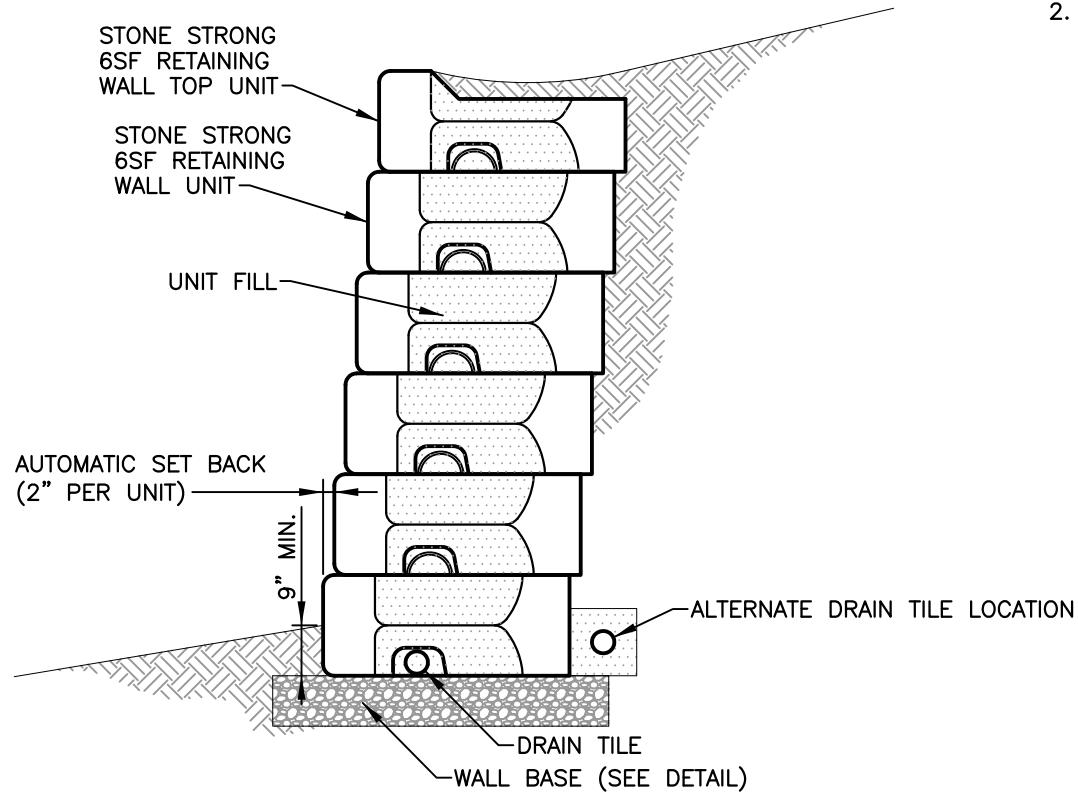
PROJECT

CROSS SECTIONS
 STONE STRONG SYSTEMS

DATE: 2/10/16 | FILE: 05_24sf.XSec.Parapet

NOTES:

1. DRAIN TILE MAY BE ELIMINATED AT THE DISCRETION OF THE SITE ENGINEER.
2. DAYLIGHT DRAIN TILE AT LOW POINTS THROUGH WALL FACE OR AT ENDS; MAXIMUM SPACING 100 FEET OR PER SITE CONDITIONS.



GRAVITY WALL CROSS SECTION

NOT TO SCALE

DISCLAIMER:

These typical details are preliminary and conceptual in nature. They are provided for general information purposes only. Anyone making use of these details and related information does so at their own risk and assumes all liability for such use. Site specific design should be performed by a licensed Professional Engineer based on actual site conditions, materials, and local practices.

Stone Strong LLC retains all common law, statutory, and other reserved rights to these drawings including the copyright. Limited license is granted to copy, reproduce, or modify the details to prepare construction drawings for Stone Strong retaining walls. Stone Strong LLC makes no warranties, either expressed or implied, of merchantability or fitness for any particular purpose, and accepts no responsibility for the accuracy, suitability, or completeness of information contained herein.



www.stonestrong.com

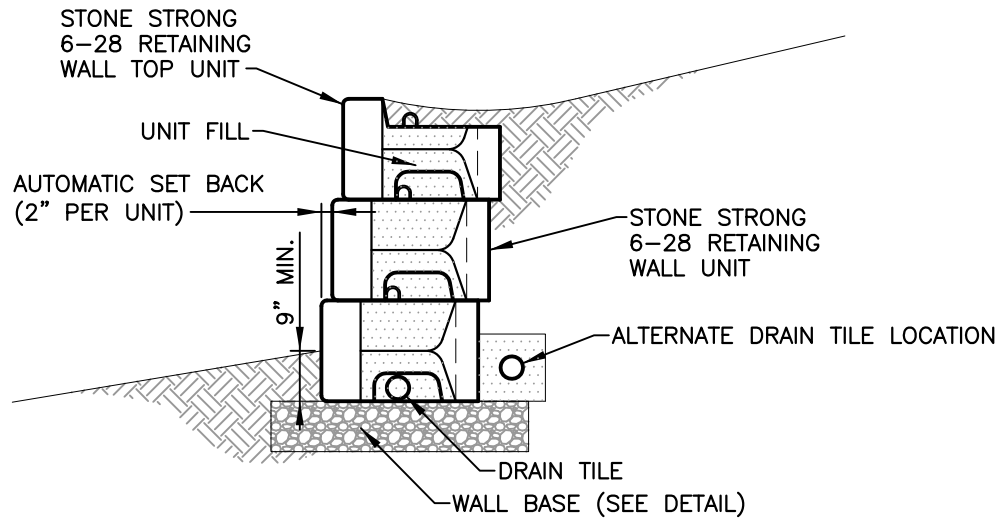
PROJECT

CROSS SECTIONS
STONE STRONG SYSTEMS

DATE: 2/10/16 | FILE: 06_6sf.XSec.Grav

NOTES:

1. DRAIN TILE MAY BE ELIMINATED AT THE DISCRETION OF THE SITE ENGINEER.
2. DAYLIGHT DRAIN TILE AT LOW POINTS THROUGH WALL FACE OR AT ENDS; MAXIMUM SPACING 100 FEET OR PER SITE CONDITIONS.



6-28 GRAVITY WALL CROSS SECTION

NOT TO SCALE

CHECK ON AVAILABILITY OF ALL UNITS w/ LOCAL PRODUCER/ DEALER. SOME UNITS MAY HAVE LIMITED AVAILABILITY.

DISCLAIMER:

These typical details are preliminary and conceptual in nature. They are provided for general information purposes only. Anyone making use of these details and related information does so at their own risk and assumes all liability for such use. Site specific design should be performed by a licensed Professional Engineer based on actual site conditions, materials, and local practices.

Stone Strong LLC retains all common law, statutory, and other reserved rights to these drawings including the copyright. Limited license is granted to copy, reproduce, or modify the details to prepare construction drawings for Stone Strong retaining walls. Stone Strong LLC makes no warranties, either expressed or implied, of merchantability or fitness for any particular purpose, and accepts no responsibility for the accuracy, suitability, or completeness of information contained herein.



www.stonestrong.com

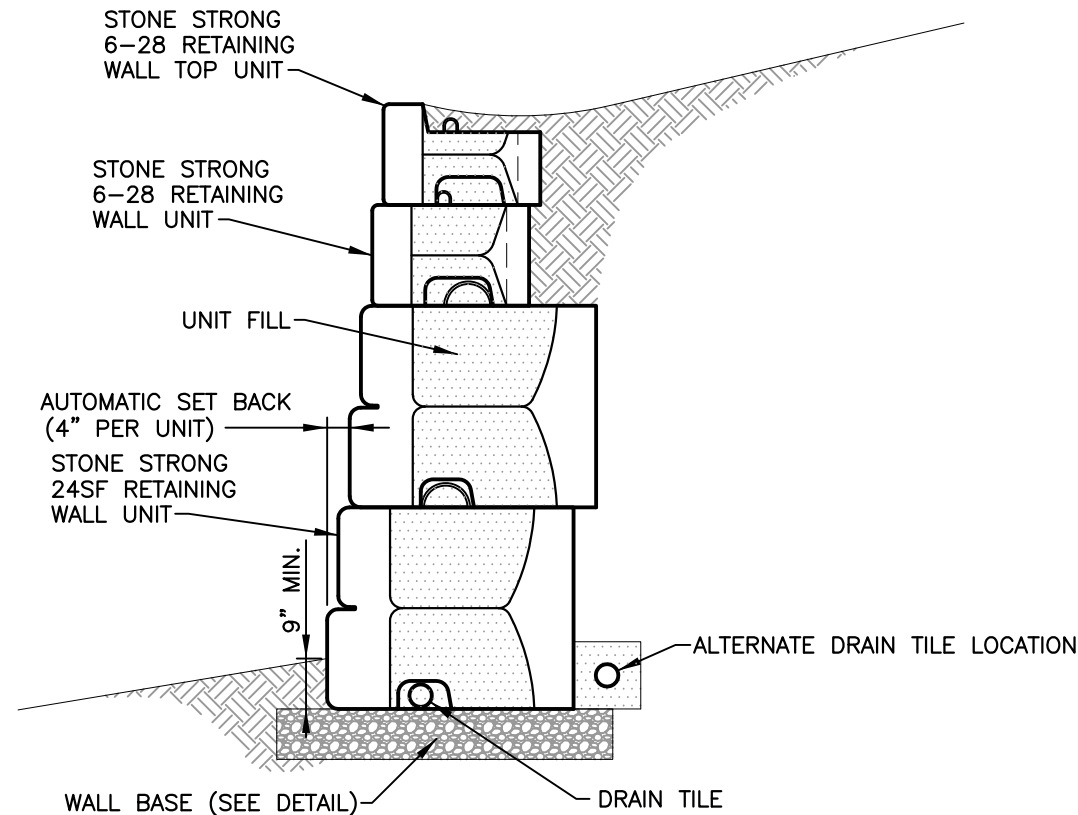
PROJECT

CROSS SECTIONS
STONE STRONG SYSTEMS

DATE: 2/10/16 | FILE: 07_6-28.XSec.Grav.Batt

NOTES:

1. DRAIN TILE MAY BE ELIMINATED AT THE DISCRETION OF THE SITE ENGINEER.
2. DAYLIGHT DRAIN TILE AT LOW POINTS THROUGH WALL FACE OR AT ENDS; MAXIMUM SPACING 100 FEET OR PER SITE CONDITIONS.



GRAVITY WALL CROSS SECTION

NOT TO SCALE

CHECK ON AVAILABILITY OF ALL UNITS w/ LOCAL PRODUCER/ DEALER. SOME UNITS MAY HAVE LIMITED AVAILABILITY.

DISCLAIMER:

These typical details are preliminary and conceptual in nature. They are provided for general information purposes only. Anyone making use of these details and related information does so at their own risk and assumes all liability for such use. Site specific design should be performed by a licensed Professional Engineer based on actual site conditions, materials, and local practices.

Stone Strong LLC retains all common law, statutory, and other reserved rights to these drawings including the copyright. Limited license is granted to copy, reproduce, or modify the details to prepare construction drawings for Stone Strong retaining walls. Stone Strong LLC makes no warranties, either expressed or implied, of merchantability or fitness for any particular purpose, and accepts no responsibility for the accuracy, suitability, or completeness of information contained herein.



www.stonestrong.com

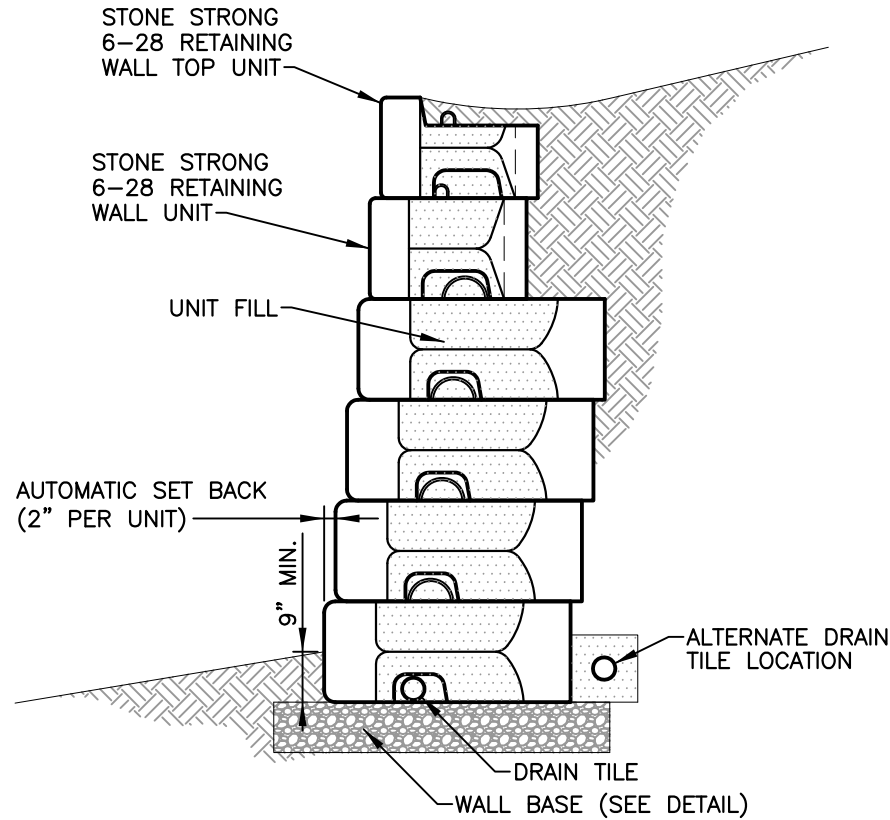
PROJECT

CROSS SECTIONS
STONE STRONG SYSTEMS

DATE: 2/10/16 FILE: 08_24sf.XSec.Grav.28

NOTES:

1. DRAIN TILE MAY BE ELIMINATED AT THE DISCRETION OF THE SITE ENGINEER.
2. DAYLIGHT DRAIN TILE AT LOW POINTS THROUGH WALL FACE OR AT ENDS; MAXIMUM SPACING 100 FEET OR PER SITE CONDITIONS.



6SF GRAVITY WALL CROSS SECTION

NOT TO SCALE

CHECK ON AVAILABILITY OF ALL UNITS w/ LOCAL PRODUCER/ DEALER. SOME UNITS MAY HAVE LIMITED AVAILABILITY.

DISCLAIMER:

These typical details are preliminary and conceptual in nature. They are provided for general information purposes only. Anyone making use of these details and related information does so at their own risk and assumes all liability for such use. Site specific design should be performed by a licensed Professional Engineer based on actual site conditions, materials, and local practices.

Stone Strong LLC retains all common law, statutory, and other reserved rights to these drawings including the copyright. Limited license is granted to copy, reproduce, or modify the details to prepare construction drawings for Stone Strong retaining walls. Stone Strong LLC makes no warranties, either expressed or implied, of merchantability or fitness for any particular purpose, and accepts no responsibility for the accuracy, suitability, or completeness of information contained herein.

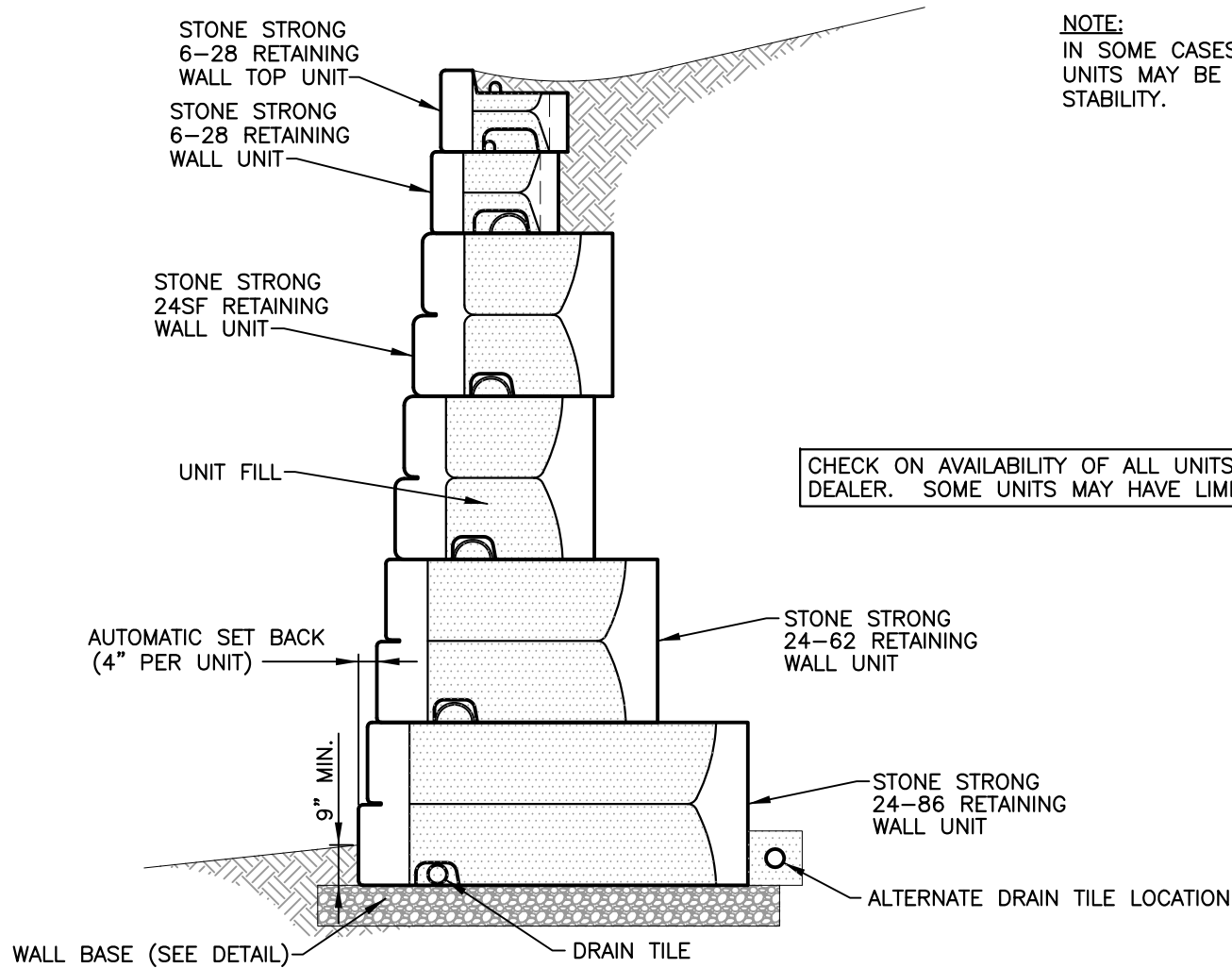


www.stonestrong.com

PROJECT

CROSS SECTIONS
STONE STRONG SYSTEMS

DATE: 2/10/16 FILE: 09_6sf.XSec.Grav.28



GRAVITY WALL CROSS SECTION w/EXTENDED BASE UNITS

NOT TO SCALE

DISCLAIMER:

These typical details are preliminary and conceptual in nature. They are provided for general information purposes only. Anyone making use of these details and related information does so at their own risk and assumes all liability for such use. Site specific design should be performed by a licensed Professional Engineer based on actual site conditions, materials, and local practices.

Stone Strong LLC retains all common law, statutory, and other reserved rights to these drawings including the copyright. Limited license is granted to copy, reproduce, or modify the details to prepare construction drawings for Stone Strong retaining walls. Stone Strong LLC makes no warranties, either expressed or implied, of merchantability or fitness for any particular purpose, and accepts no responsibility for the accuracy, suitability, or completeness of information contained herein.

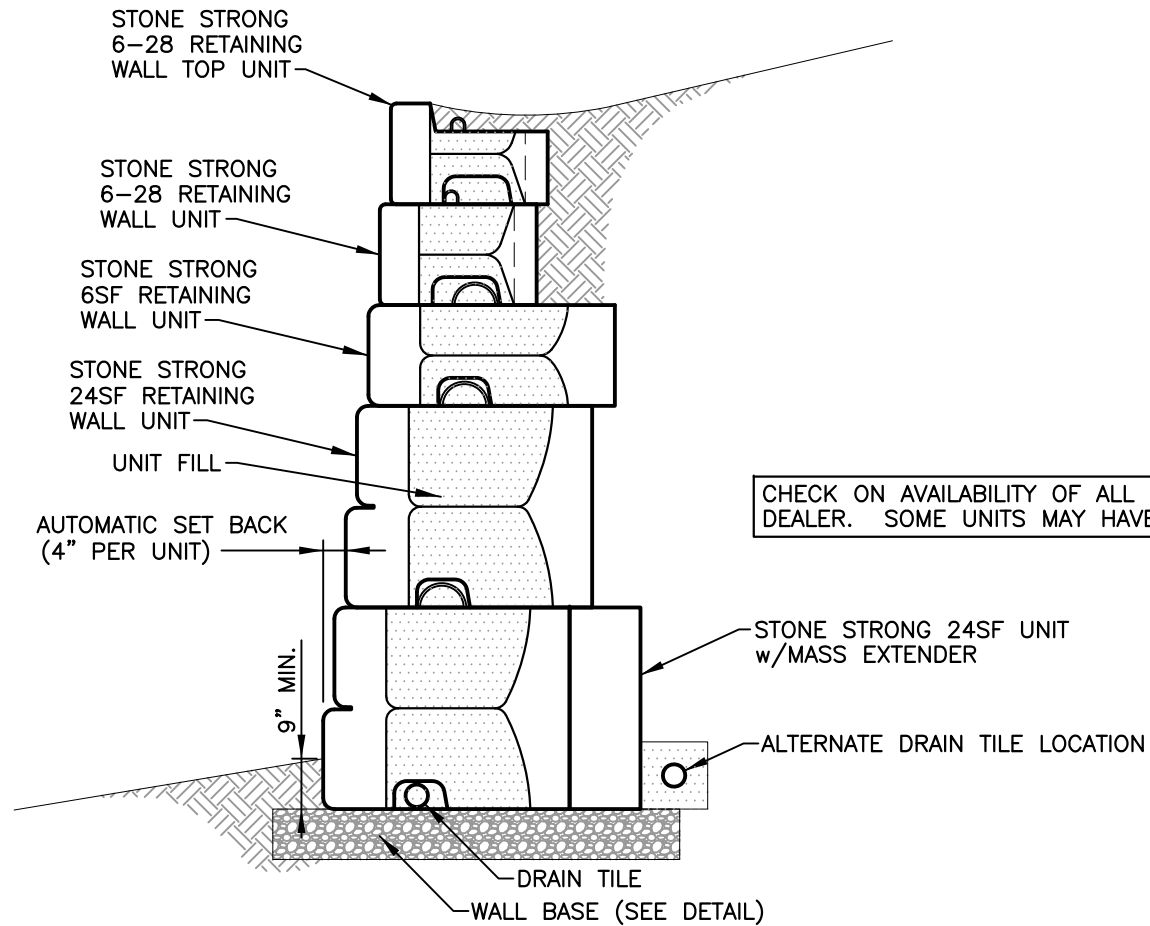


www.stonestrong.com

PROJECT

CROSS SECTIONS
STONE STRONG SYSTEMS

DATE: 2/10/16 | FILE: 10_HD Sect.28



GRAVITY WALL
CROSS SECTION w/MASS EXTENDER
 NOT TO SCALE

DISCLAIMER:

These typical details are preliminary and conceptual in nature. They are provided for general information purposes only. Anyone making use of these details and related information does so at their own risk and assumes all liability for such use. Site specific design should be performed by a licensed Professional Engineer based on actual site conditions, materials, and local practices.

Stone Strong LLC retains all common law, statutory, and other reserved rights to these drawings including the copyright. Limited license is granted to copy, reproduce, or modify the details to prepare construction drawings for Stone Strong retaining walls. Stone Strong LLC makes no warranties, either expressed or implied, of merchantability or fitness for any particular purpose, and accepts no responsibility for the accuracy, suitability, or completeness of information contained herein.



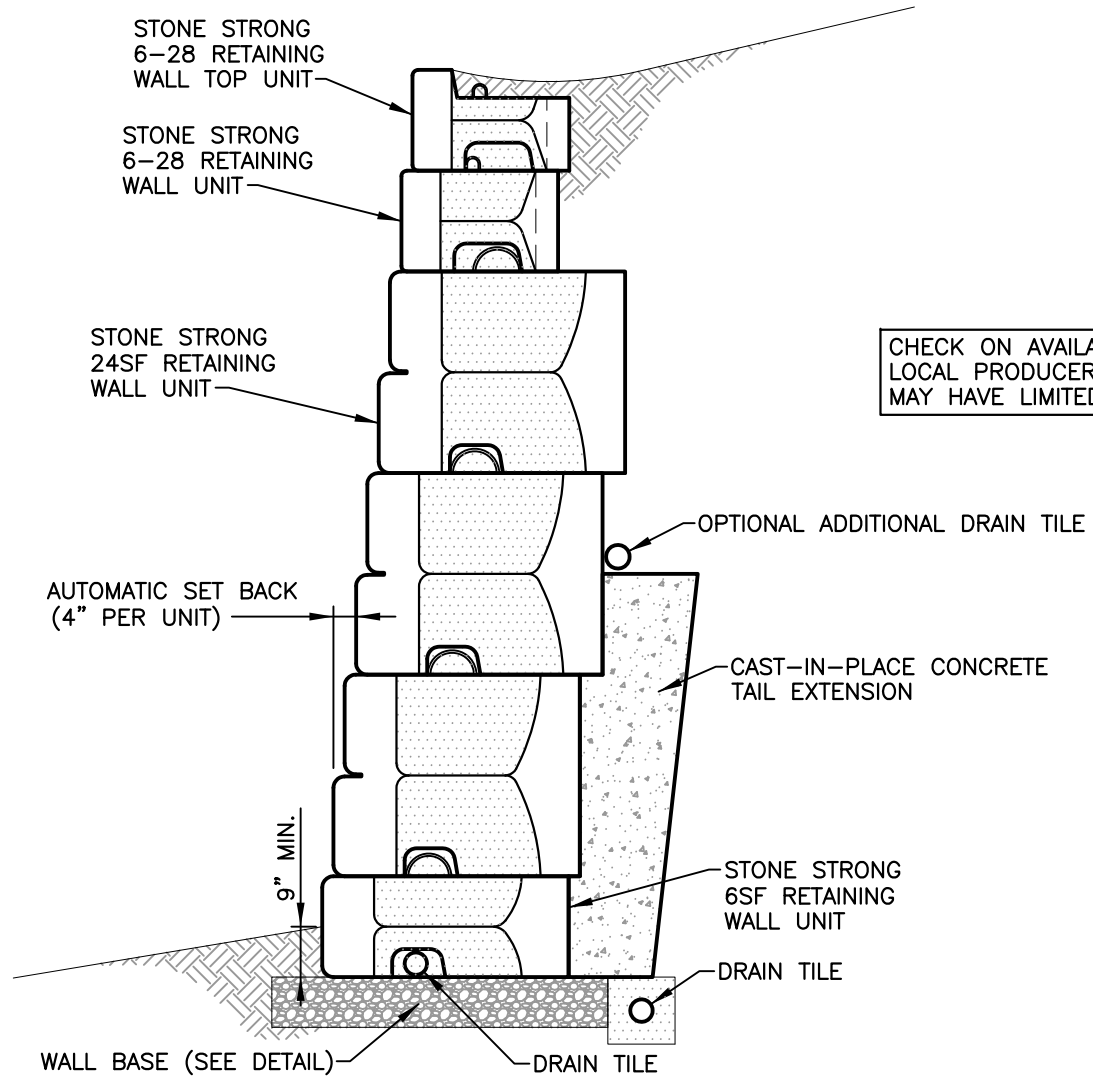
www.stonestrong.com

PROJECT

CROSS SECTIONS
 STONE STRONG SYSTEMS

DATE: 2/10/16

FILE: 11_24sf.XSec.Mass.28



CHECK ON AVAILABILITY OF ALL UNITS w/
LOCAL PRODUCER/DEALER. SOME UNITS
MAY HAVE LIMITED AVAILABILITY.

GRAVITY WALL
CROSS SECTION w/CONCRETE TAIL EXTENSION
NOT TO SCALE

DISCLAIMER:
These typical details are preliminary and conceptual in nature. They are provided for general information purposes only. Anyone making use of these details and related information does so at their own risk and assumes all liability for such use. Site specific design should be performed by a licensed Professional Engineer based on actual site conditions, materials, and local practices.

Stone Strong LLC retains all common law, statutory, and other reserved rights to these drawings including the copyright. Limited license is granted to copy, reproduce, or modify the details to prepare construction drawings for Stone Strong retaining walls. Stone Strong LLC makes no warranties, either expressed or implied, of merchantability or fitness for any particular purpose, and accepts no responsibility for the accuracy, suitability, or completeness of information contained herein.

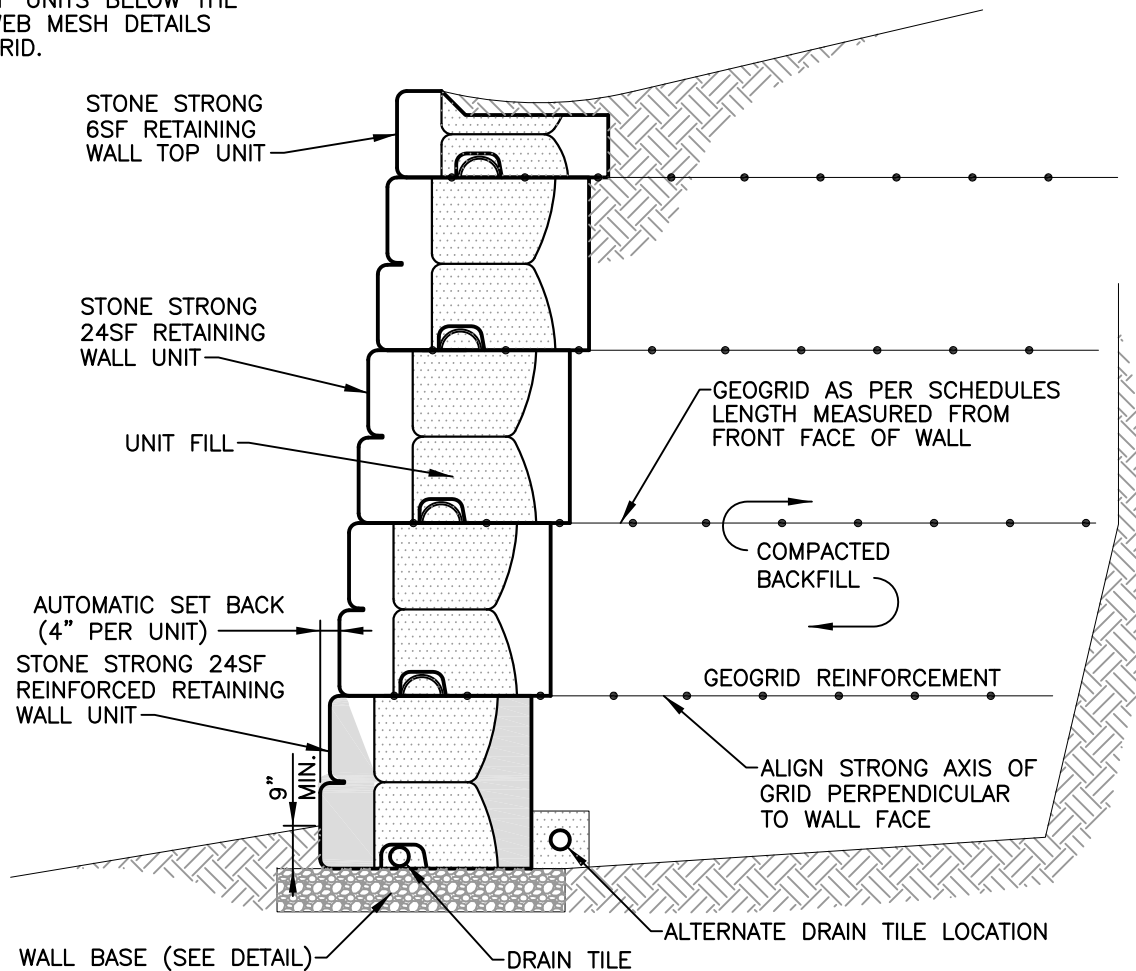


STONE STRONG SYSTEMS®
www.stonestrong.com

PROJECT	
CROSS SECTIONS STONE STRONG SYSTEMS	
DATE: 2/10/16	FILE: 12_24sf.XSec.CIP.28

NOTE:

24SF UNITS MUST BE REINFORCED BELOW THE TOP 12 FEET IN GEOGRID REINFORCED WALLS. HD REINFORCING REQUIRED FOR 24SF UNITS BELOW THE TOP 33 FEET. SEE FACE AND WEB MESH DETAILS FOR OPTIONAL REINFORCEMENT GRID.



REINFORCED WALL CROSS SECTION

NOT TO SCALE

DISCLAIMER:

These typical details are preliminary and conceptual in nature. They are provided for general information purposes only. Anyone making use of these details and related information does so at their own risk and assumes all liability for such use. Site specific design should be performed by a licensed Professional Engineer based on actual site conditions, materials, and local practices.

Stone Strong LLC retains all common law, statutory, and other reserved rights to these drawings including the copyright. Limited license is granted to copy, reproduce, or modify the details to prepare construction drawings for Stone Strong retaining walls. Stone Strong LLC makes no warranties, either expressed or implied, of merchantability or fitness for any particular purpose, and accepts no responsibility for the accuracy, suitability, or completeness of information contained herein.



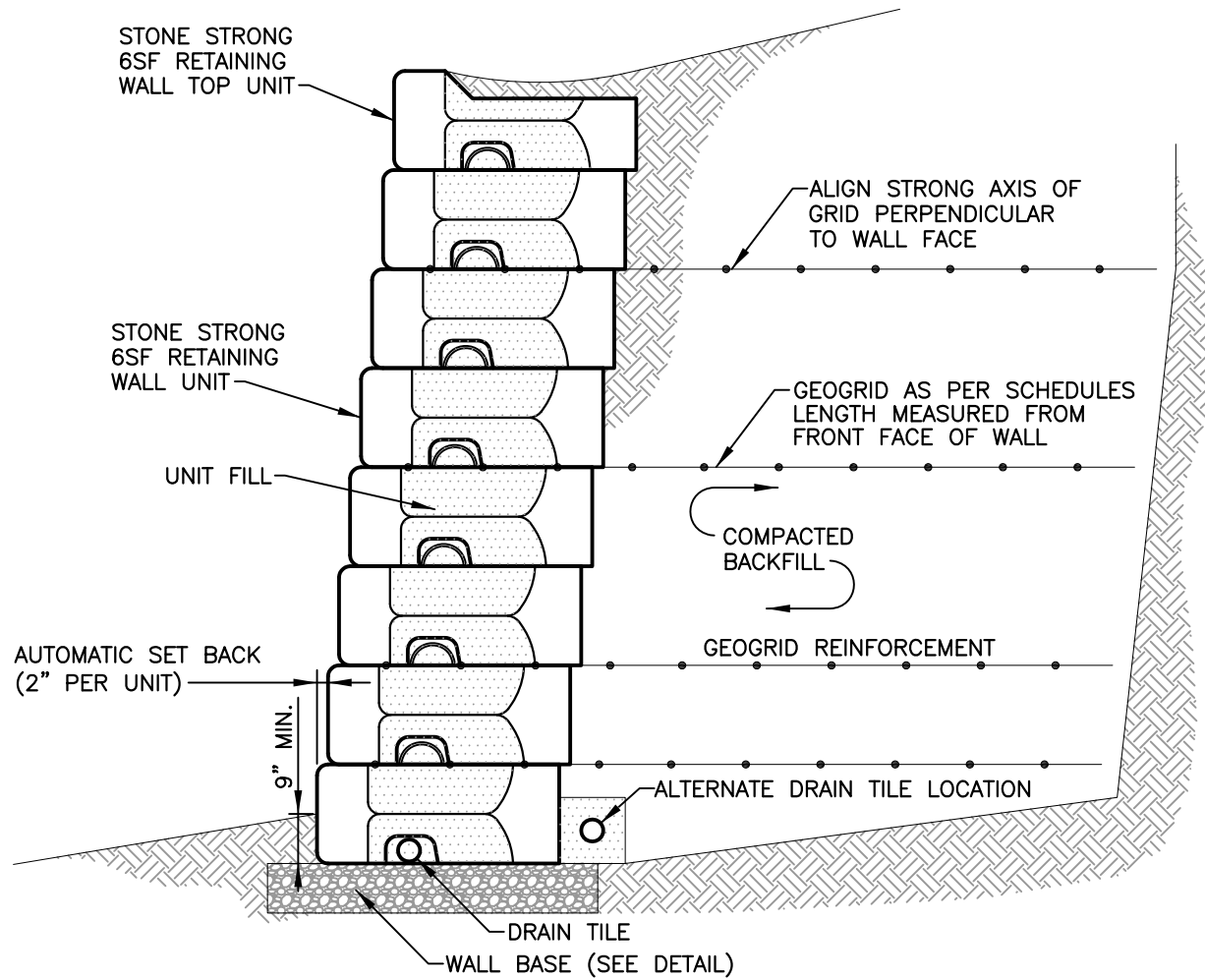
www.stonestrong.com

PROJECT

CROSS SECTIONS
STONE STRONG SYSTEMS

DATE: 2/10/16

FILE: 13_24sf.XSec.Reinf



6SF REINFORCED WALL CROSS SECTION

NOT TO SCALE

DISCLAIMER:

These typical details are preliminary and conceptual in nature. They are provided for general information purposes only. Anyone making use of these details and related information does so at their own risk and assumes all liability for such use. Site specific design should be performed by a licensed Professional Engineer based on actual site conditions, materials, and local practices.

Stone Strong LLC retains all common law, statutory, and other reserved rights to these drawings including the copyright. Limited license is granted to copy, reproduce, or modify the details to prepare construction drawings for Stone Strong retaining walls. Stone Strong LLC makes no warranties, either expressed or implied, of merchantability or fitness for any particular purpose, and accepts no responsibility for the accuracy, suitability, or completeness of information contained herein.

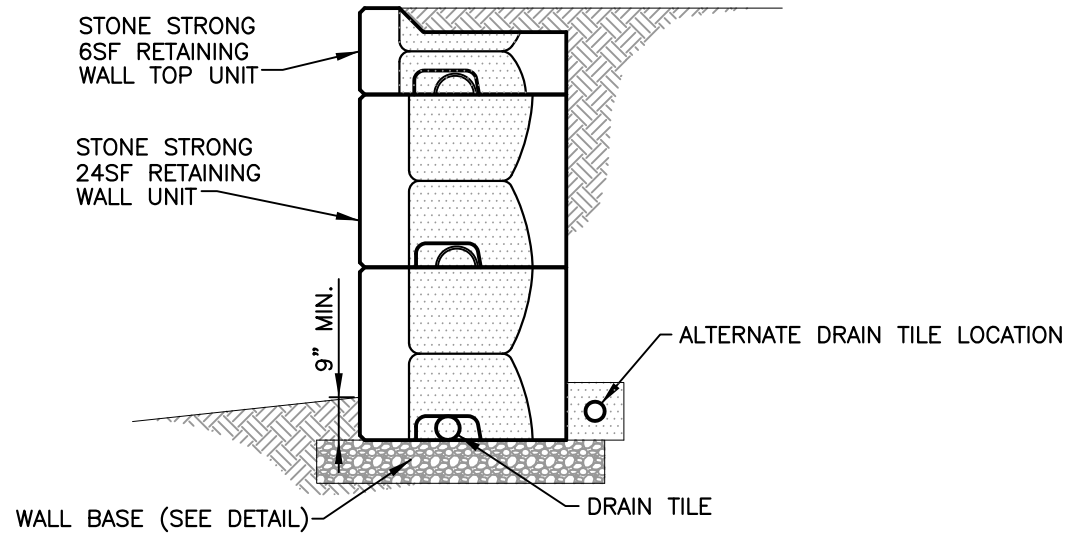


STONE STRONG SYSTEMS®

www.stonestrong.com

PROJECT	
CROSS SECTIONS STONE STRONG SYSTEMS	
DATE: 2/10/16	FILE: 14_6sf.XSec.Reinf

NOTE:
 VERTICAL UNITS REQUIRE A MODIFIED
 ALIGNMENT RECESS AND A MODIFIED FACE.



TYPICAL GRAVITY WALL CROSS SECTION

NOT TO SCALE

DISCLAIMER:

These typical details are preliminary and conceptual in nature. They are provided for general information purposes only. Anyone making use of these details and related information does so at their own risk and assumes all liability for such use. Site specific design should be performed by a licensed Professional Engineer based on actual site conditions, materials, and local practices.

Stone Strong LLC retains all common law, statutory, and other reserved rights to these drawings including the copyright. Limited license is granted to copy, reproduce, or modify the details to prepare construction drawings for Stone Strong retaining walls. Stone Strong LLC makes no warranties, either expressed or implied, of merchantability or fitness for any particular purpose, and accepts no responsibility for the accuracy, suitability, or completeness of information contained herein.

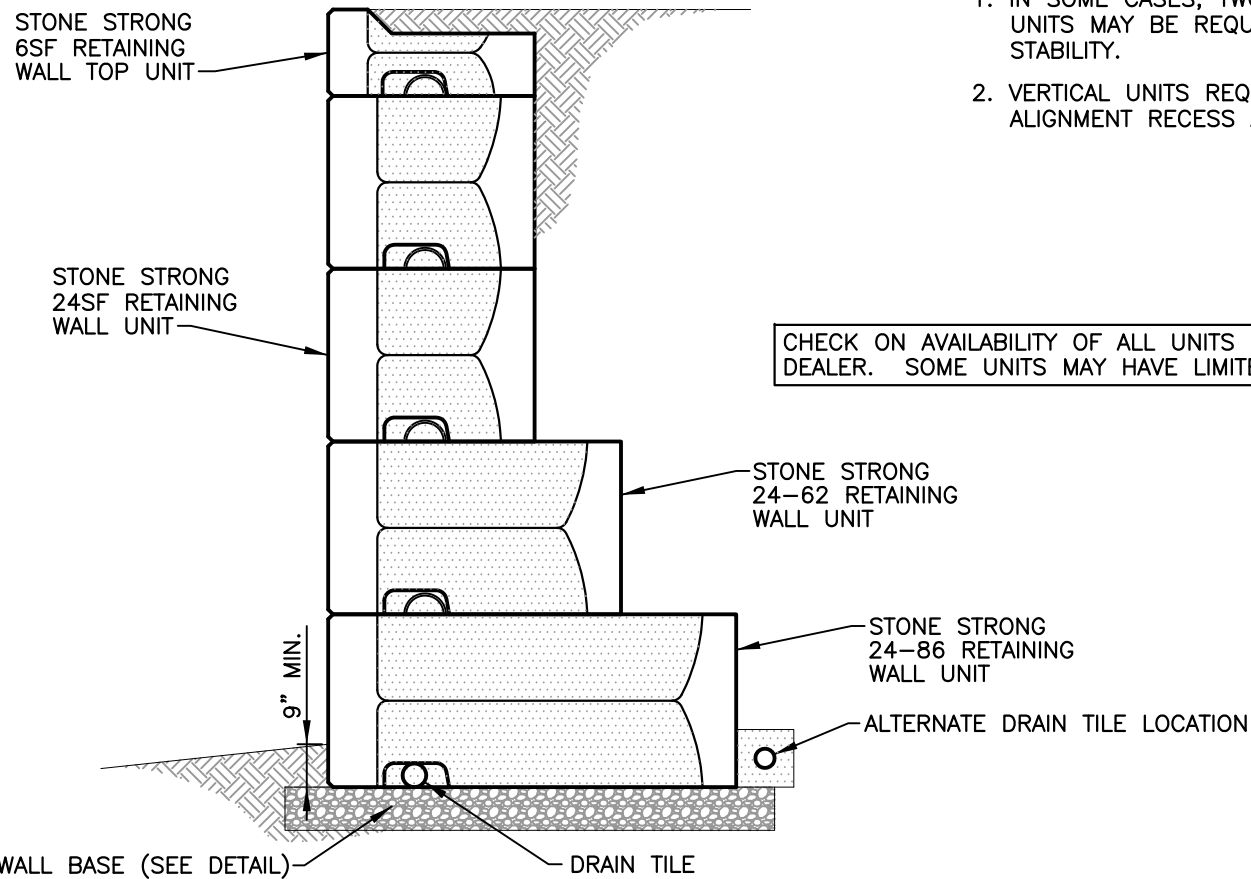


www.stonestrong.com

PROJECT

CROSS SECTIONS
 STONE STRONG SYSTEMS

DATE: 2/10/16 | FILE: 15_VertFaceSect2



NOTES:

1. IN SOME CASES, TWO 24-62 OR 24-86 UNITS MAY BE REQUIRED FOR INTERNAL STABILITY.
2. VERTICAL UNITS REQUIRE A MODIFIED ALIGNMENT RECESS AND A MODIFIED FACE.

CHECK ON AVAILABILITY OF ALL UNITS w/ LOCAL PRODUCER/ DEALER. SOME UNITS MAY HAVE LIMITED AVAILABILITY.


TYPICAL GRAVITY WALL CROSS SECTION w/HD BASE UNITS

NOT TO SCALE

DISCLAIMER:

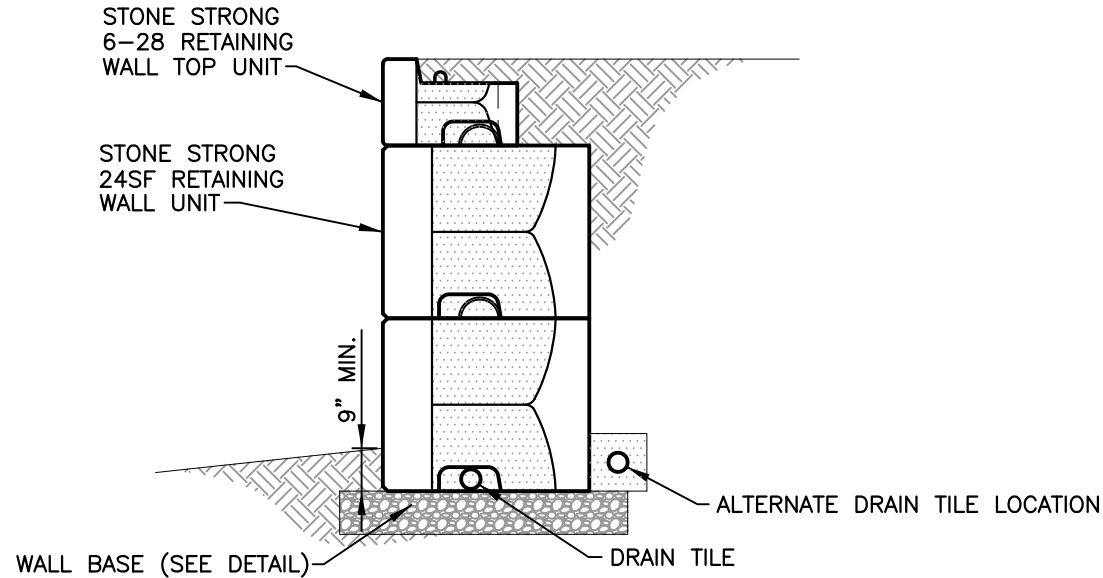
These typical details are preliminary and conceptual in nature. They are provided for general information purposes only. Anyone making use of these details and related information does so at their own risk and assumes all liability for such use. Site specific design should be performed by a licensed Professional Engineer based on actual site conditions, materials, and local practices.

Stone Strong LLC retains all common law, statutory, and other reserved rights to these drawings including the copyright. Limited license is granted to copy, reproduce, or modify the details to prepare construction drawings for Stone Strong retaining walls. Stone Strong LLC makes no warranties, either expressed or implied, of merchantability or fitness for any particular purpose, and accepts no responsibility for the accuracy, suitability, or completeness of information contained herein.

 www.stonestrong.com	PROJECT	
	CROSS SECTIONS STONE STRONG SYSTEMS	
	DATE: 2/10/16	FILE: 16_VertFaceSect1

NOTE:

VERTICAL UNITS REQUIRE A MODIFIED ALIGNMENT RECESS AND A MODIFIED FACE.



VERTICAL FACE GRAVITY WALL CROSS SECTION

NOT TO SCALE

CHECK ON AVAILABILITY OF ALL UNITS w/ LOCAL PRODUCER/ DEALER. SOME UNITS MAY HAVE LIMITED AVAILABILITY.

DISCLAIMER:

These typical details are preliminary and conceptual in nature. They are provided for general information purposes only. Anyone making use of these details and related information does so at their own risk and assumes all liability for such use. Site specific design should be performed by a licensed Professional Engineer based on actual site conditions, materials, and local practices.

Stone Strong LLC retains all common law, statutory, and other reserved rights to these drawings including the copyright. Limited license is granted to copy, reproduce, or modify the details to prepare construction drawings for Stone Strong retaining walls. Stone Strong LLC makes no warranties, either expressed or implied, of merchantability or fitness for any particular purpose, and accepts no responsibility for the accuracy, suitability, or completeness of information contained herein.

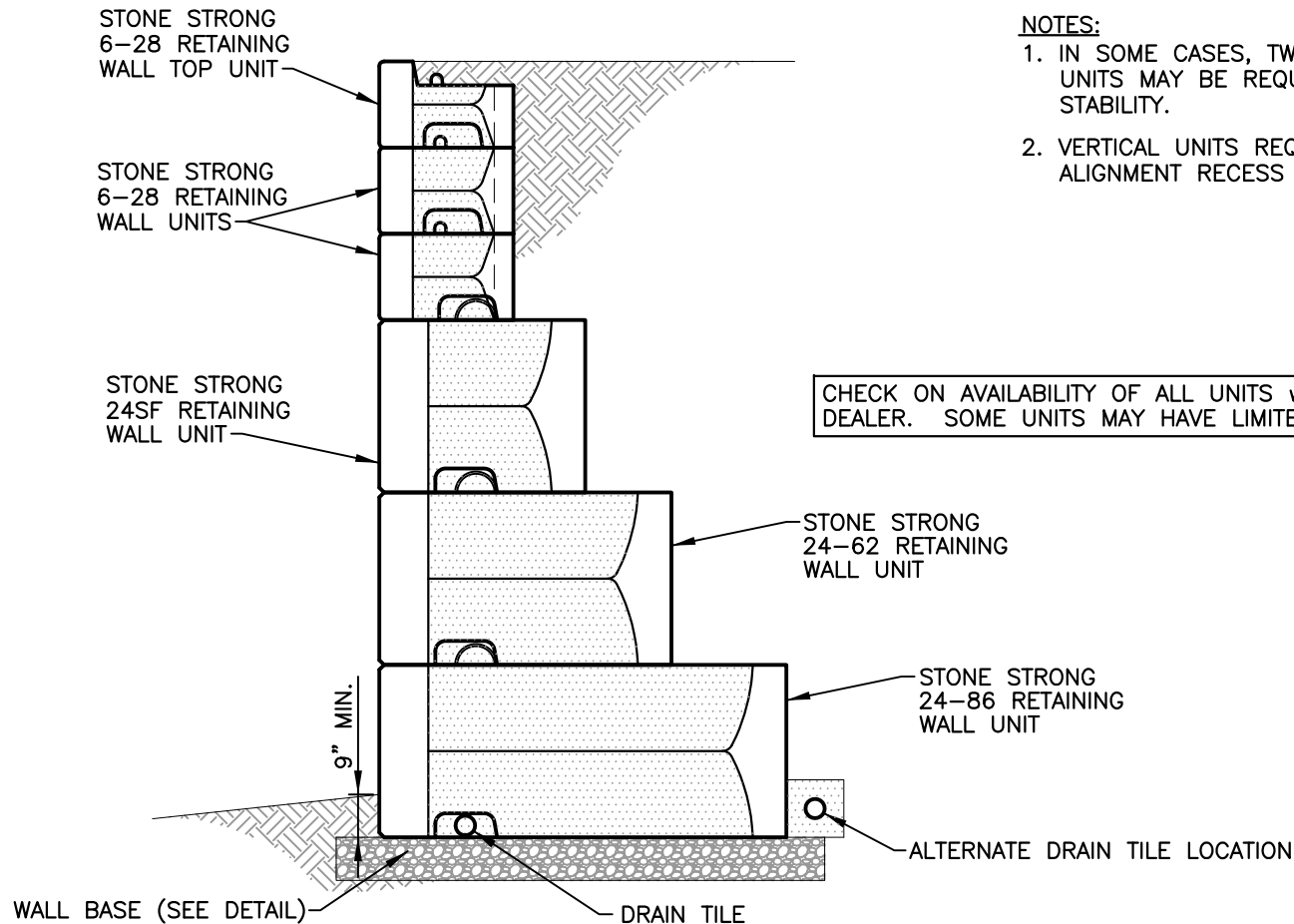


www.stonestrong.com

PROJECT

CROSS SECTIONS
STONE STRONG SYSTEMS

DATE: 2/10/16 | FILE: 17_VertFaceSect2.28



NOTES:

1. IN SOME CASES, TWO 24-62 OR 24-86 UNITS MAY BE REQUIRED FOR INTERNAL STABILITY.
2. VERTICAL UNITS REQUIRE A MODIFIED ALIGNMENT RECESS AND A MODIFIED FACE.

VERTICAL FACE GRAVITY WALL
CROSS SECTION w/EXTENDED BASE UNITS

NOT TO SCALE

DISCLAIMER:

These typical details are preliminary and conceptual in nature. They are provided for general information purposes only. Anyone making use of these details and related information does so at their own risk and assumes all liability for such use. Site specific design should be performed by a licensed Professional Engineer based on actual site conditions, materials, and local practices.

Stone Strong LLC retains all common law, statutory, and other reserved rights to these drawings including the copyright. Limited license is granted to copy, reproduce, or modify the details to prepare construction drawings for Stone Strong retaining walls. Stone Strong LLC makes no warranties, either expressed or implied, of merchantability or fitness for any particular purpose, and accepts no responsibility for the accuracy, suitability, or completeness of information contained herein.



www.stonestrong.com

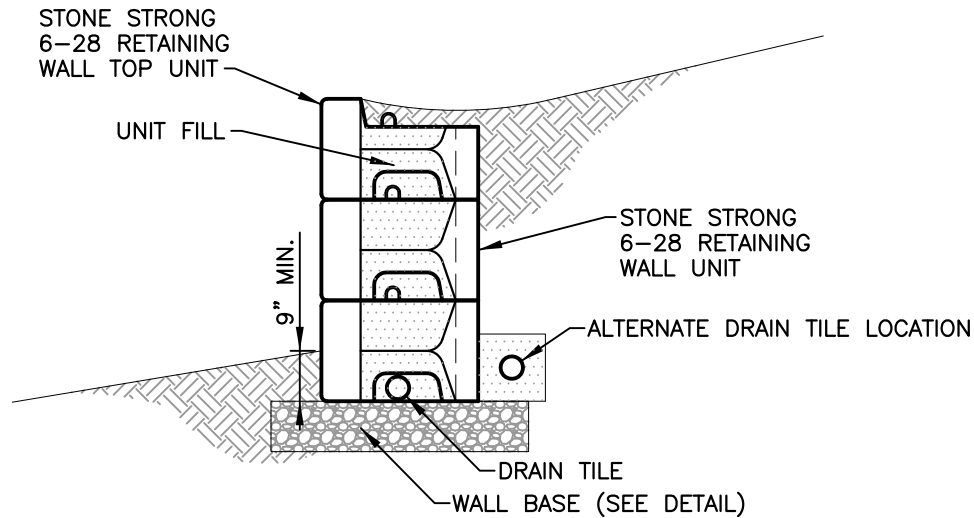
PROJECT

CROSS SECTIONS
STONE STRONG SYSTEMS

DATE: 2/10/16 | FILE: 18_VertFaceSect1.28

NOTES:

1. DRAIN TILE MAY BE ELIMINATED AT THE DISCRETION OF THE SITE ENGINEER.
2. DAYLIGHT DRAIN TILE AT LOW POINTS THROUGH WALL FACE OR AT ENDS; MAXIMUM SPACING 100 FEET OR PER SITE CONDITIONS.



VERTICAL FACE
6-28 GRAVITY WALL CROSS SECTION
NOT TO SCALE

CHECK ON AVAILABILITY OF ALL UNITS w/ LOCAL PRODUCER/
DEALER. SOME UNITS MAY HAVE LIMITED AVAILABILITY.

DISCLAIMER:

These typical details are preliminary and conceptual in nature. They are provided for general information purposes only. Anyone making use of these details and related information does so at their own risk and assumes all liability for such use. Site specific design should be performed by a licensed Professional Engineer based on actual site conditions, materials, and local practices.

Stone Strong LLC retains all common law, statutory, and other reserved rights to these drawings including the copyright. Limited license is granted to copy, reproduce, or modify the details to prepare construction drawings for Stone Strong retaining walls. Stone Strong LLC makes no warranties, either expressed or implied, of merchantability or fitness for any particular purpose, and accepts no responsibility for the accuracy, suitability, or completeness of information contained herein.



www.stonestrong.com

PROJECT

CROSS SECTIONS
STONE STRONG SYSTEMS

DATE: 2/10/16

FILE: 19_6-28.XSec.Grav.Vert