

TM-2013-02

Date: 12/20/13
(rev 2/12/15)

Technical Memorandum

Subject: Steel reinforcement in 24SF extended units

Technical Information:

The thickness of the webs and face shell of the 24SF units was established to provide sufficient structural strength in the unreinforced section for conventional gravity applications. However, the increased external loads created in taller gravity walls that are possible with extended units can exceed the original design basis. In addition, due to the increased weight and unbalanced condition of these units, handling of these units at the production facility and prior to installation creates additional safety and durability considerations.

All extended 24SF units shall have internal reinforcement in the face and webs. This includes all Mass Extender units, 24-62 units, and 24-86 units. Reinforcement details are attached for each unit. Stock mesh with an equivalent or greater steel area may be used instead, or rebar with an equivalent or greater horizontal steel area may be used in lieu of the custom mesh cage.

The enclosed detail drawings of the reinforcement cage and design details are posted in the Detail section of the Engineering Manual on the Stone Strong web site.

The reinforcing details depict the minimum recommended reinforcement area. As indicated, alternate reinforcing configurations are acceptable, based on the producer's preferred method of placing reinforcement. Where custom mesh configurations are provided, these units may also be reinforced with conventional mesh reinforcing or with deformed rebar. These alternate reinforcing schemes should provide equal or greater horizontal steel area. It is acceptable to provide reinforcing area that exceeds the equivalent mesh area.

Submitted By: DT

Approved By: JG

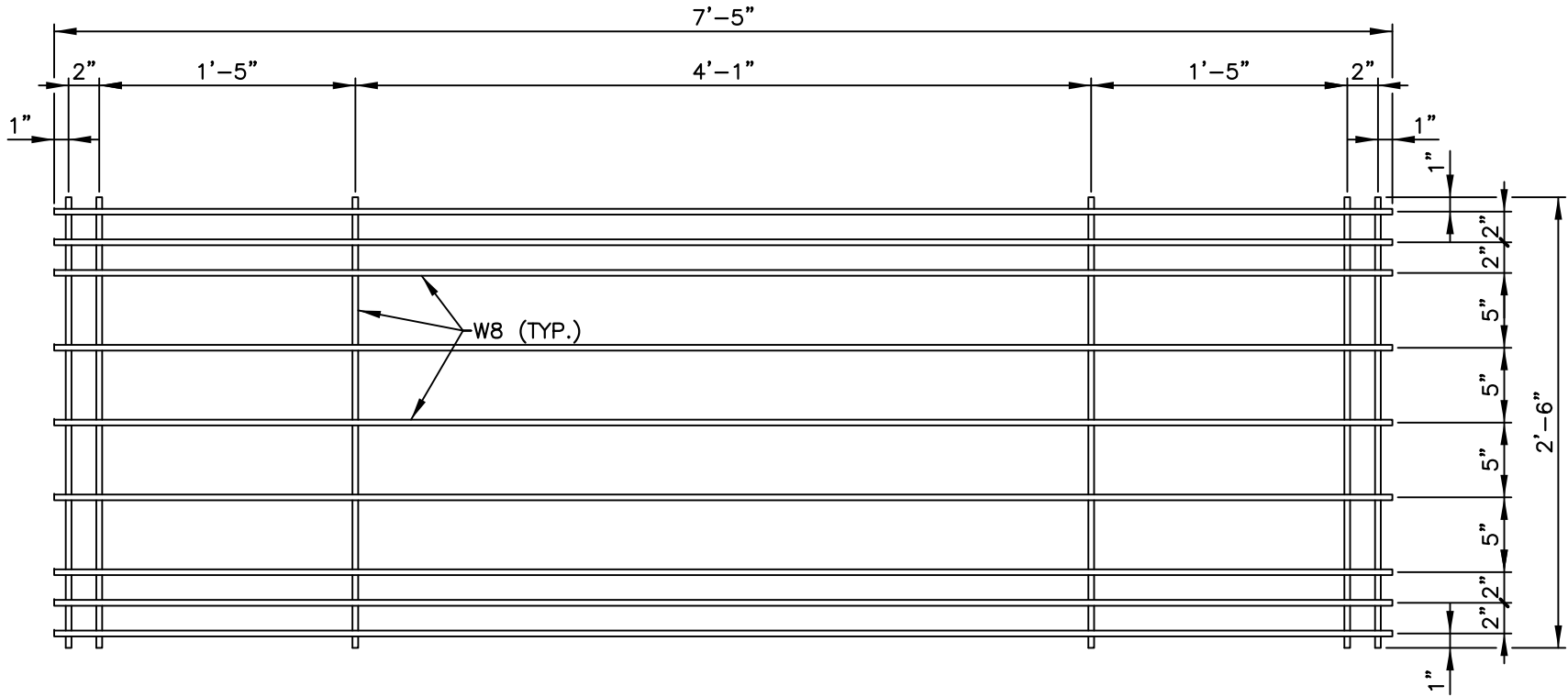
Approval Date: December 20, 2013

Distribution: All Dealers, wall designers

Total Pages: 5

NOTES:

1. STOCK MESH OR REBAR WITH EQUIVALENT OR GREATER HORIZONTAL STEEL AREA MAY BE SUBSTITUTED FOR PREFABRICATED MESH.
2. ONE ASSEMBLY REQUIRED PER 24-62 AND 24-86 UNIT (FRONT FACE ONLY).



STONE STRONG 24-62 & 24-86 BLOCK REINFORCEMENT
FRONT FACE MESH

NOT TO SCALE

DISCLAIMER:

These typical details are preliminary and conceptual in nature. They are provided for general information purposes only. Anyone making use of these details and related information does so at their own risk and assumes all liability for such use. Site specific design should be performed by a licensed Professional Engineer based on actual site conditions, materials, and local practices.

Stone Strong LLC retains all common law, statutory, and other reserved rights to these drawings including the copyright. Limited license is granted to copy, reproduce, or modify the details to prepare construction drawings for Stone Strong retaining walls. Stone Strong LLC makes no warranties, either expressed or implied, of merchantability or fitness for any particular purpose, and accepts no responsibility for the accuracy, suitability, or completeness of information contained herein.



www.stonestrong.com

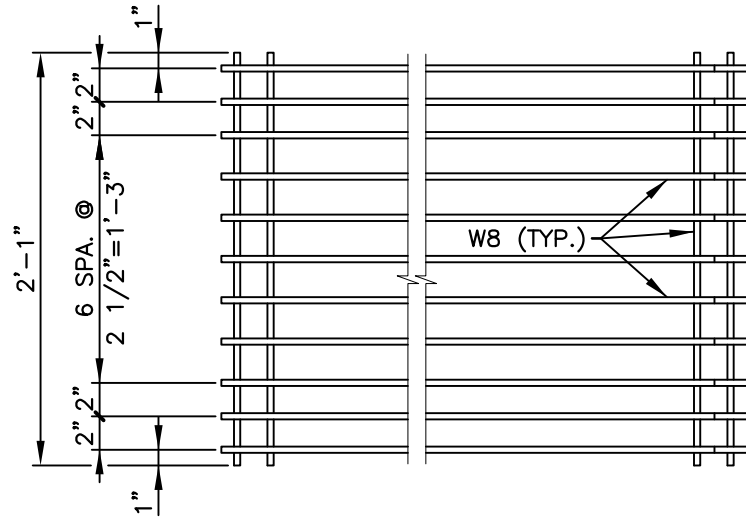
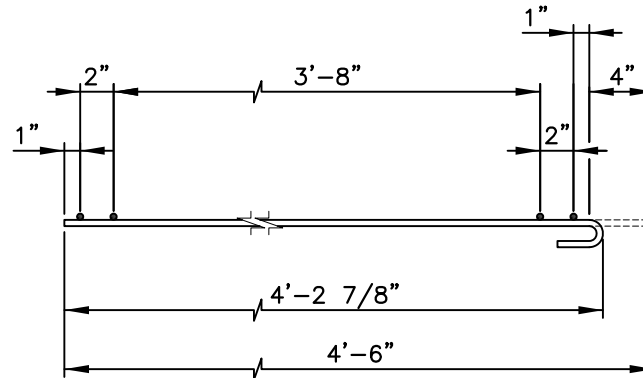
PROJECT

COMPONENTS
STONE STRONG SYSTEMS

DATE: 2/12/15 | FILE: 10_24-62-86FFM

NOTES:

1. STOCK MESH OR REBAR WITH EQUIVALENT OR GREATER HORIZONTAL STEEL AREA MAY BE SUBSTITUTED FOR PREFABRICATED MESH.
2. TWO ASSEMBLIES REQUIRED PER 24-62 UNIT (ONE PER WEB).



STONE STRONG 24-62 BLOCK REINFORCEMENT

WEB MESH

NOT TO SCALE

DISCLAIMER:

These typical details are preliminary and conceptual in nature. They are provided for general information purposes only. Anyone making use of these details and related information does so at their own risk and assumes all liability for such use. Site specific design should be performed by a licensed Professional Engineer based on actual site conditions, materials, and local practices.

Stone Strong LLC retains all common law, statutory, and other reserved rights to these drawings including the copyright. Limited license is granted to copy, reproduce, or modify the details to prepare construction drawings for Stone Strong retaining walls. Stone Strong LLC makes no warranties, either expressed or implied, of merchantability or fitness for any particular purpose, and accepts no responsibility for the accuracy, suitability, or completeness of information contained herein.



www.stonestrong.com

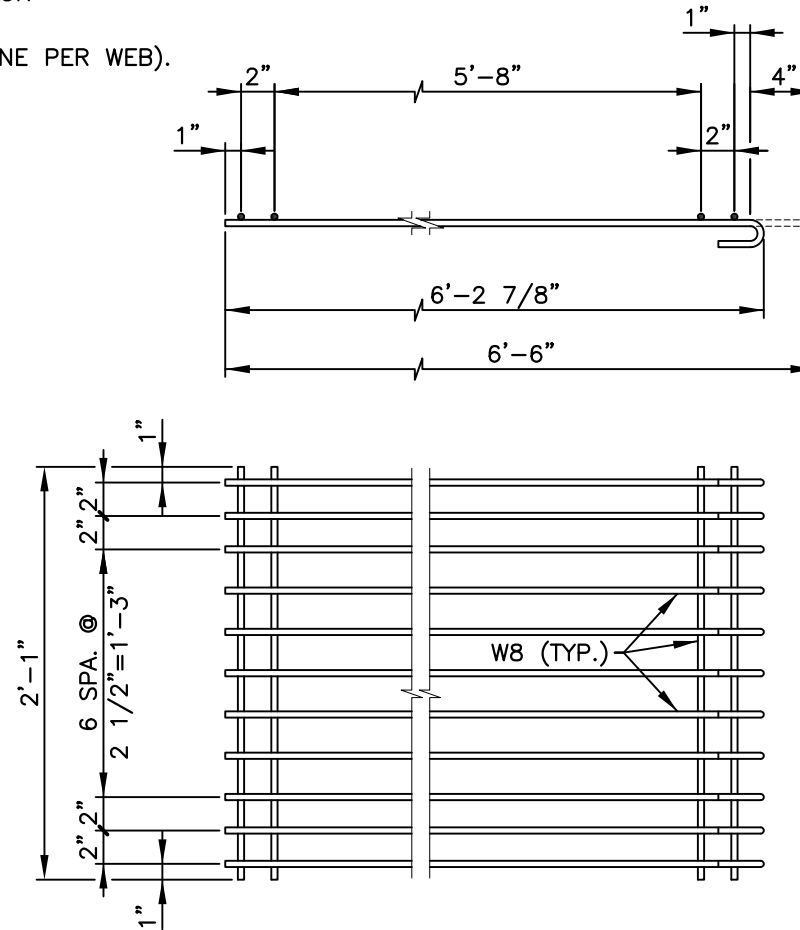
PROJECT

COMPONENTS
STONE STRONG SYSTEMS

DATE: 2/12/15 | FILE: 11_24-62WebMesh

NOTES:

1. STOCK MESH OR REBAR WITH EQUIVALENT OR GREATER HORIZONTAL STEEL AREA MAY BE SUBSTITUTED FOR PREFABRICATED MESH.
2. TWO ASSEMBLIES REQUIRED PER 24-86 UNIT (ONE PER WEB).



STONE STRONG 24-86 BLOCK REINFORCEMENT

WEB MESH

NOT TO SCALE

DISCLAIMER:

These typical details are preliminary and conceptual in nature. They are provided for general information purposes only. Anyone making use of these details and related information does so at their own risk and assumes all liability for such use. Site specific design should be performed by a licensed Professional Engineer based on actual site conditions, materials, and local practices.

Stone Strong LLC retains all common law, statutory, and other reserved rights to these drawings including the copyright. Limited license is granted to copy, reproduce, or modify the details to prepare construction drawings for Stone Strong retaining walls. Stone Strong LLC makes no warranties, either expressed or implied, of merchantability or fitness for any particular purpose, and accepts no responsibility for the accuracy, suitability, or completeness of information contained herein.

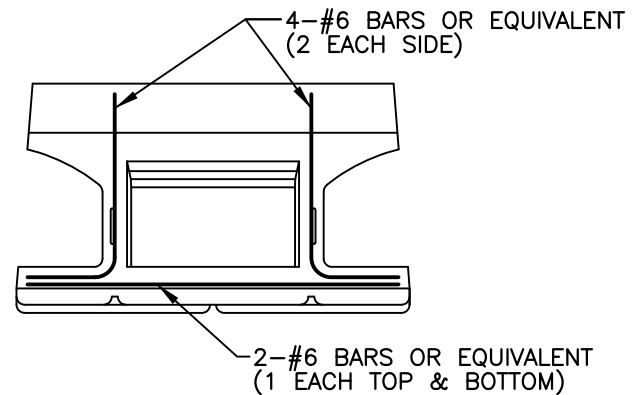
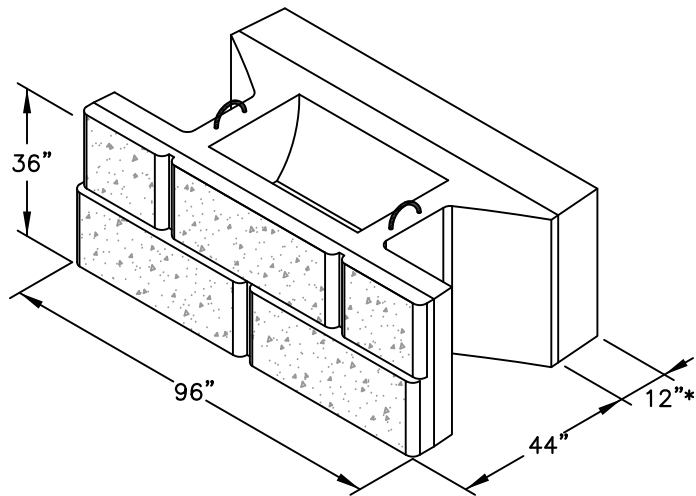


www.stonestrong.com

PROJECT

COMPONENTS
STONE STRONG SYSTEMS

DATE: 2/12/15 | FILE: 12_24-86WebMesh



*OR AS INDICATED
ON LAYOUT/ELEVATION

STONE STRONG 24SF UNIT w/MASS EXTENDER

NOT TO SCALE

DISCLAIMER:

These typical details are preliminary and conceptual in nature. They are provided for general information purposes only. Anyone making use of these details and related information does so at their own risk and assumes all liability for such use. Site specific design should be performed by a licensed Professional Engineer based on actual site conditions, materials, and local practices.

Stone Strong LLC retains all common law, statutory, and other reserved rights to these drawings including the copyright. Limited license is granted to copy, reproduce, or modify the details to prepare construction drawings for Stone Strong retaining walls. Stone Strong LLC makes no warranties, either expressed or implied, of merchantability or fitness for any particular purpose, and accepts no responsibility for the accuracy, suitability, or completeness of information contained herein.



www.stonestrong.com

PROJECT

COMPONENTS
STONE STRONG SYSTEMS

DATE: 2/12/15 | FILE: 13_Block.24sf.MassExt