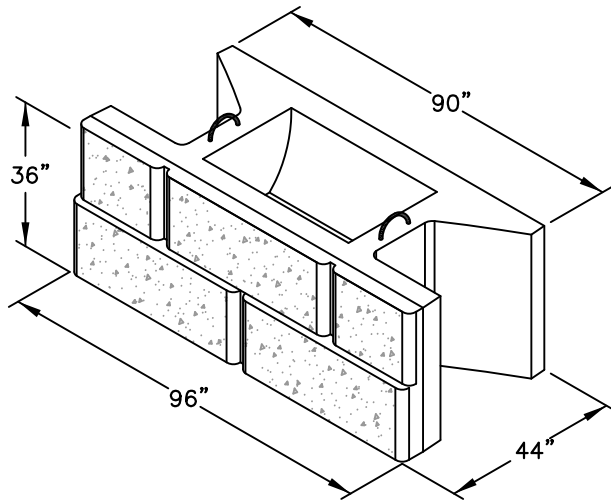


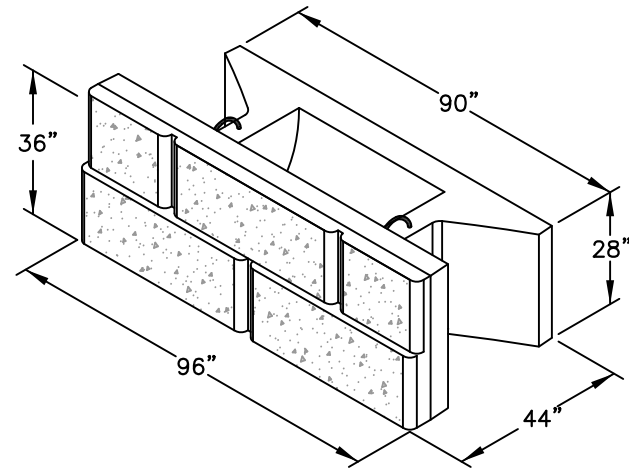
NOTES:

1. 24SF UNITS MUST BE REINFORCED BELOW THE TOP 12 FEET IN GEOGRID REINFORCED WALLS. HD REINFORCING REQUIRED FOR 24SF UNITS BELOW THE TOP 33 FEET. SEE FACE AND WEB MESH DETAILS FOR OPTIONAL REINFORCEMENT GRID.
2. CHISELLED GRANITE STYLE HAS 4 DIFFERENT FACE PATTERNS ON 24SF BLOCKS. INSTALL A, B, C, & D PATTERNS AT RANDOM IN WALL.



STONE STRONG 24SF UNIT
CHISELLED GRANITE FACE

NOT TO SCALE



STONE STRONG 24SF TOP UNIT
CHISELLED GRANITE FACE

NOT TO SCALE

DISCLAIMER:

These typical details are preliminary and conceptual in nature. They are provided for general information purposes only. Anyone making use of these details and related information does so at their own risk and assumes all liability for such use. Site specific design should be performed by a licensed Professional Engineer based on actual site conditions, materials, and local practices.

Stone Strong LLC retains all common law, statutory, and other reserved rights to these drawings including the copyright. Limited license is granted to copy, reproduce, or modify the details to prepare construction drawings for Stone Strong retaining walls. Stone Strong LLC makes no warranties, either expressed or implied, of merchantability or fitness for any particular purpose, and accepts no responsibility for the accuracy, suitability, or completeness of information contained herein.



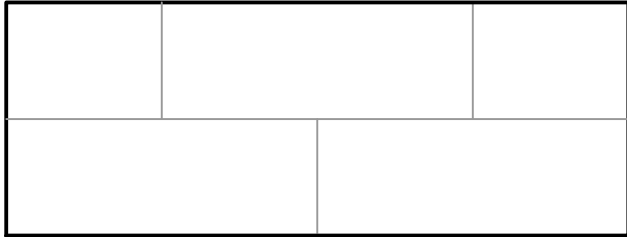
www.stonestrong.com

PROJECT

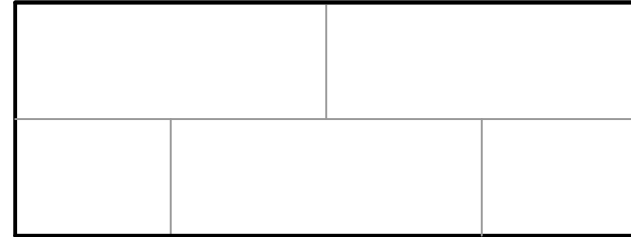
COMPONENTS
STONE STRONG SYSTEMS

DATE: 2/10/16

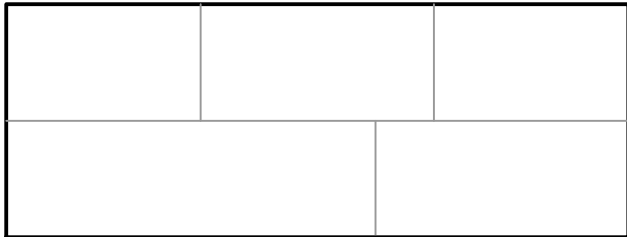
FILE: 01_Block.24sf.CGF



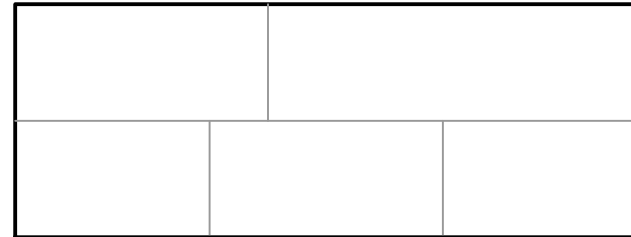
PATTERN A



PATTERN B



PATTERN C



PATTERN D

CHISELLED GRANITE FACE PATTERNS

NOT TO SCALE

DISCLAIMER:

These typical details are preliminary and conceptual in nature. They are provided for general information purposes only. Anyone making use of these details and related information does so at their own risk and assumes all liability for such use. Site specific design should be performed by a licensed Professional Engineer based on actual site conditions, materials, and local practices.

Stone Strong LLC retains all common law, statutory, and other reserved rights to these drawings including the copyright. Limited license is granted to copy, reproduce, or modify the details to prepare construction drawings for Stone Strong retaining walls. Stone Strong LLC makes no warranties, either expressed or implied, of merchantability or fitness for any particular purpose, and accepts no responsibility for the accuracy, suitability, or completeness of information contained herein.



www.stonestrong.com

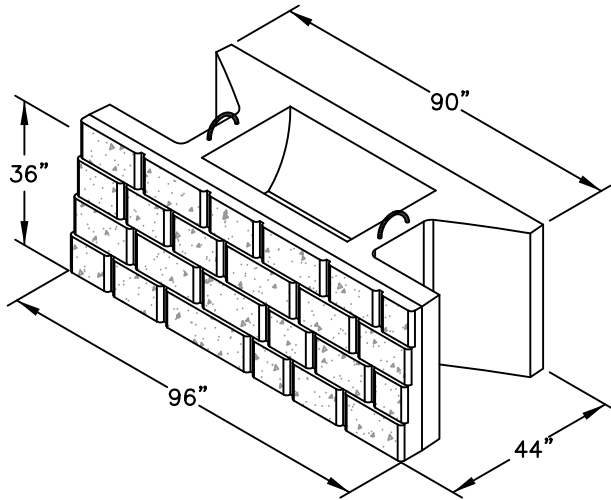
PROJECT

COMPONENTS
STONE STRONG SYSTEMS

DATE: 2/10/16 | FILE: 02_Pattern.CGF

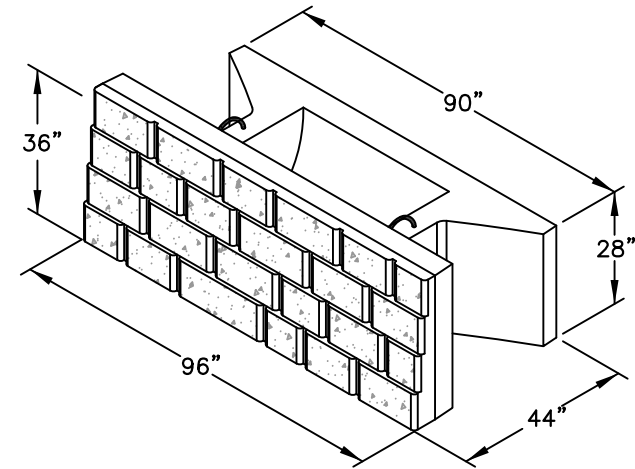
NOTE:

24SF UNITS MUST BE REINFORCED BELOW THE TOP 12 FEET IN GEOGRID REINFORCED WALLS. HD REINFORCING REQUIRED FOR 24SF UNITS BELOW THE TOP 33 FEET. SEE FACE AND WEB MESH DETAILS FOR OPTIONAL REINFORCEMENT GRID.



STONE STRONG 24SF UNIT
SPLIT LIMESTONE FACE

NOT TO SCALE



STONE STRONG 24SF TOP UNIT
SPLIT LIMESTONE FACE

NOT TO SCALE

DISCLAIMER:

These typical details are preliminary and conceptual in nature. They are provided for general information purposes only. Anyone making use of these details and related information does so at their own risk and assumes all liability for such use. Site specific design should be performed by a licensed Professional Engineer based on actual site conditions, materials, and local practices.

Stone Strong LLC retains all common law, statutory, and other reserved rights to these drawings including the copyright. Limited license is granted to copy, reproduce, or modify the details to prepare construction drawings for Stone Strong retaining walls. Stone Strong LLC makes no warranties, either expressed or implied, of merchantability or fitness for any particular purpose, and accepts no responsibility for the accuracy, suitability, or completeness of information contained herein.

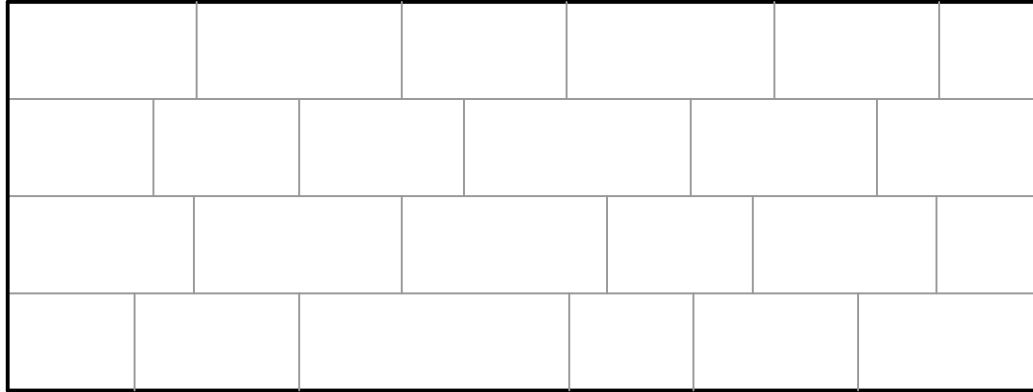


www.stonestrong.com

PROJECT

COMPONENTS
STONE STRONG SYSTEMS

DATE: 2/10/16 | FILE: 03_Block.24sf.SLF



SPLIT LIMESTONE FACE PATTERN

NOT TO SCALE

DISCLAIMER:

These typical details are preliminary and conceptual in nature. They are provided for general information purposes only. Anyone making use of these details and related information does so at their own risk and assumes all liability for such use. Site specific design should be performed by a licensed Professional Engineer based on actual site conditions, materials, and local practices.

Stone Strong LLC retains all common law, statutory, and other reserved rights to these drawings including the copyright. Limited license is granted to copy, reproduce, or modify the details to prepare construction drawings for Stone Strong retaining walls. Stone Strong LLC makes no warranties, either expressed or implied, of merchantability or fitness for any particular purpose, and accepts no responsibility for the accuracy, suitability, or completeness of information contained herein.

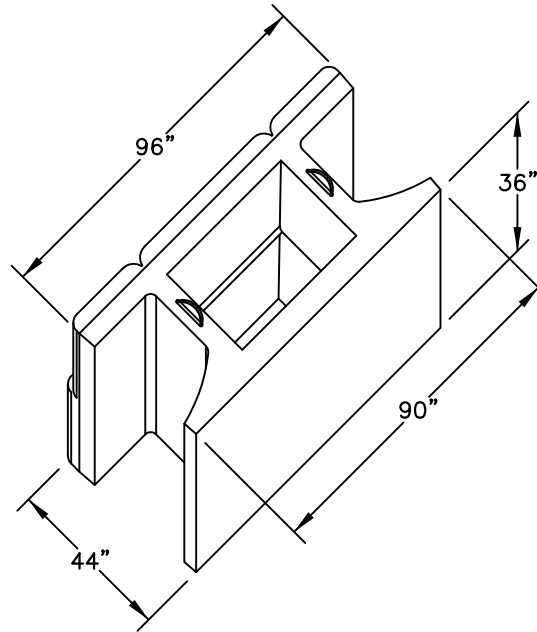


www.stonestrong.com

PROJECT

COMPONENTS
STONE STRONG SYSTEMS

DATE: 2/10/16 | FILE: 04_Pattern.SLF



REAR VIEW
STONE STRONG 24SF UNIT
 NOT TO SCALE

DISCLAIMER:

These typical details are preliminary and conceptual in nature. They are provided for general information purposes only. Anyone making use of these details and related information does so at their own risk and assumes all liability for such use. Site specific design should be performed by a licensed Professional Engineer based on actual site conditions, materials, and local practices.

Stone Strong LLC retains all common law, statutory, and other reserved rights to these drawings including the copyright. Limited license is granted to copy, reproduce, or modify the details to prepare construction drawings for Stone Strong retaining walls. Stone Strong LLC makes no warranties, either expressed or implied, of merchantability or fitness for any particular purpose, and accepts no responsibility for the accuracy, suitability, or completeness of information contained herein.



www.stonestrong.com

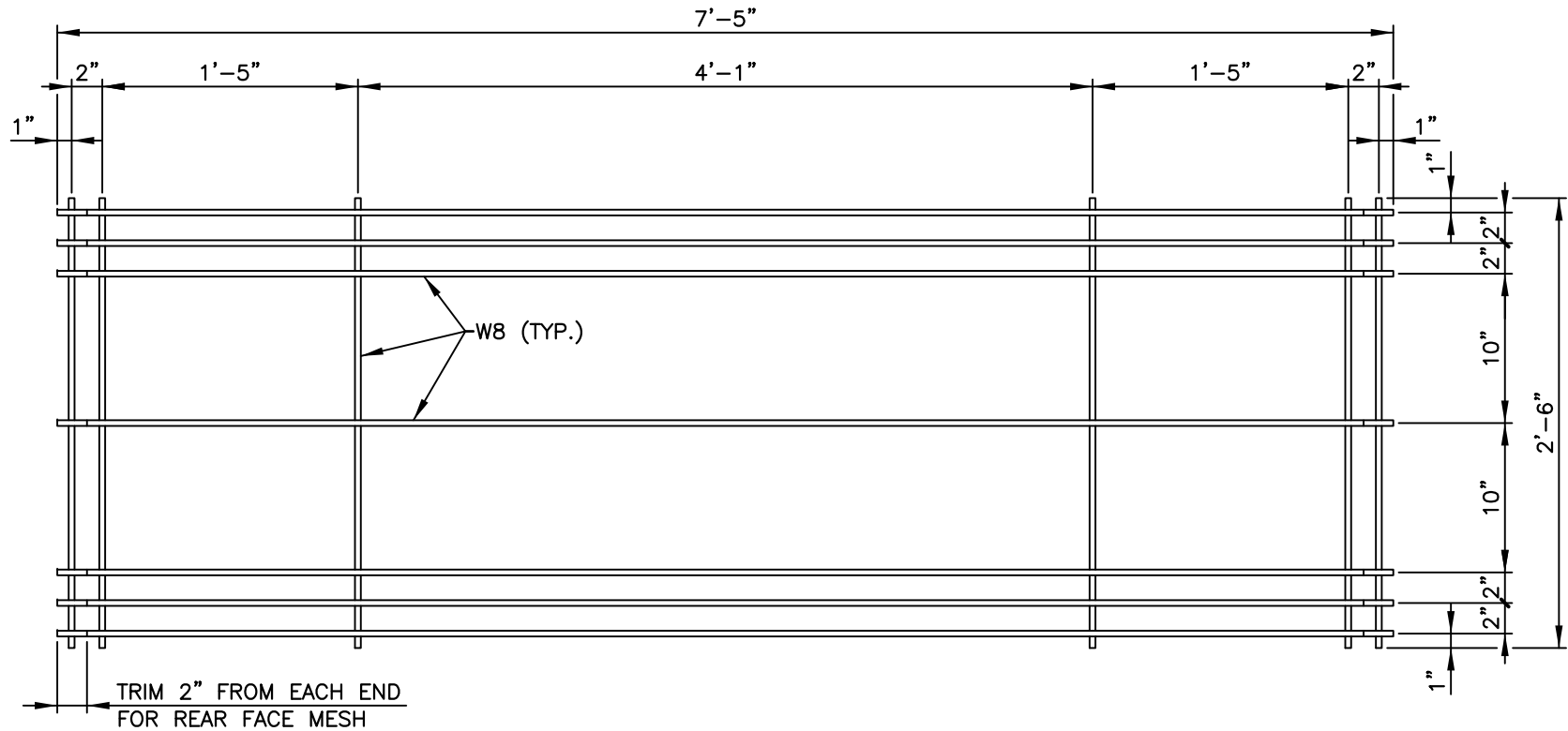
PROJECT

COMPONENTS
 STONE STRONG SYSTEMS

DATE: 2/10/16 | FILE: 05_Block.24sf.Rear

NOTES:

1. STOCK MESH OR REBAR WITH EQUIVALENT OR GREATER HORIZONTAL STEEL AREA MAY BE SUBSTITUTED FOR PREFABRICATED MESH.
2. ONE ASSEMBLY REQUIRED PER 24SF UNIT (FRONT FACE ONLY).
3. FOR HEAVY DUTY (HD) REINFORCING, THREE ASSEMBLIES REQUIRED (2 FRONT FACE, 1 REAR FACE).



STONE STRONG 24SF BLOCK REINFORCEMENT
FRONT FACE MESH

NOT TO SCALE

DISCLAIMER:

These typical details are preliminary and conceptual in nature. They are provided for general information purposes only. Anyone making use of these details and related information does so at their own risk and assumes all liability for such use. Site specific design should be performed by a licensed Professional Engineer based on actual site conditions, materials, and local practices.

Stone Strong LLC retains all common law, statutory, and other reserved rights to these drawings including the copyright. Limited license is granted to copy, reproduce, or modify the details to prepare construction drawings for Stone Strong retaining walls. Stone Strong LLC makes no warranties, either expressed or implied, of merchantability or fitness for any particular purpose, and accepts no responsibility for the accuracy, suitability, or completeness of information contained herein.



www.stonestrong.com

PROJECT

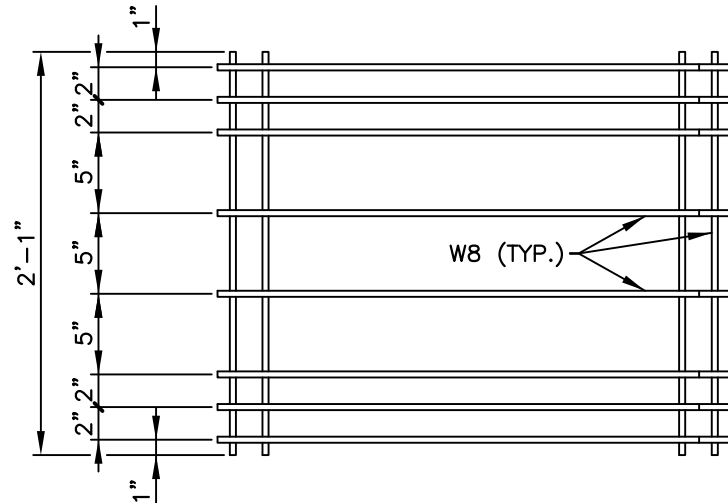
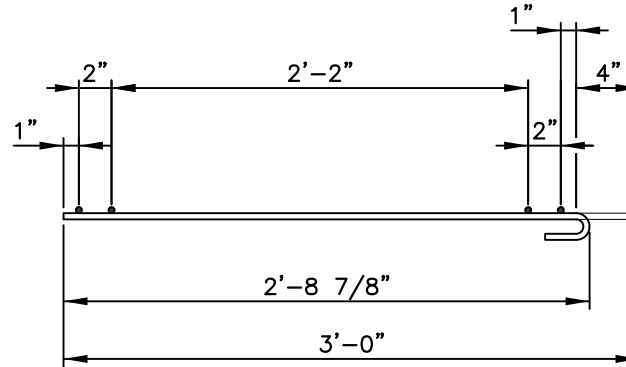
COMPONENTS
STONE STRONG SYSTEMS

DATE: 2/10/16

FILE: 06_24sf.FFM

NOTES:

1. STOCK MESH OR REBAR WITH EQUIVALENT OR GREATER HORIZONTAL STEEL AREA MAY BE SUBSTITUTED FOR PREFABRICATED MESH.
2. TWO ASSEMBLIES REQUIRED PER 24SF UNIT (ONE PER WEB).
3. FOR HEAVY DUTY (HD) REINFORCING, FOUR ASSEMBLIES REQUIRED (TWO PER WEB).



STONE STRONG 24SF BLOCK REINFORCEMENT
WEB MESH
NOT TO SCALE

DISCLAIMER:

These typical details are preliminary and conceptual in nature. They are provided for general information purposes only. Anyone making use of these details and related information does so at their own risk and assumes all liability for such use. Site specific design should be performed by a licensed Professional Engineer based on actual site conditions, materials, and local practices.

Stone Strong LLC retains all common law, statutory, and other reserved rights to these drawings including the copyright. Limited license is granted to copy, reproduce, or modify the details to prepare construction drawings for Stone Strong retaining walls. Stone Strong LLC makes no warranties, either expressed or implied, of merchantability or fitness for any particular purpose, and accepts no responsibility for the accuracy, suitability, or completeness of information contained herein.



www.stonestrong.com

PROJECT

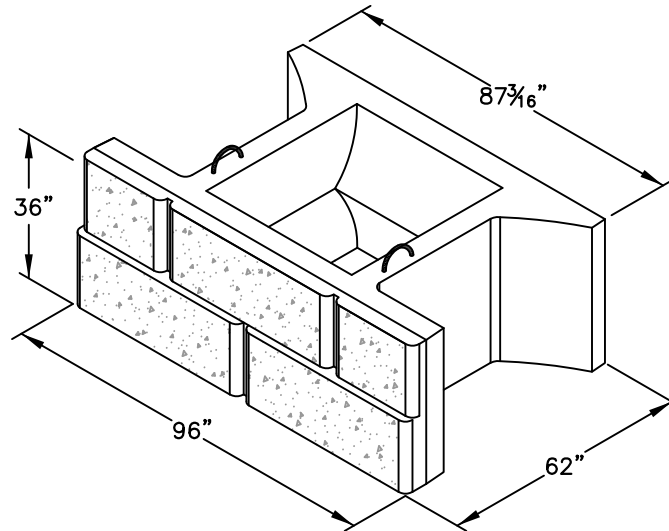
COMPONENTS
STONE STRONG SYSTEMS

DATE: 2/10/16

FILE: 07_24sf.WebMesh

NOTES:

1. SEE FACE AND WEB MESH DETAILS FOR REINFORCEMENT GRID.
2. CHISELLED GRANITE STYLE HAS 4 DIFFERENT FACE PATTERNS ON 24-62 BLOCKS.
INSTALL A, B, C, & D PATTERNS AT RANDOM IN WALL.



STONE STRONG 24-62 UNIT

NOT TO SCALE

CHECK ON AVAILABILITY OF ALL UNITS w/ LOCAL PRODUCER/
DEALER. SOME UNITS MAY HAVE LIMITED AVAILABILITY.

DISCLAIMER:

These typical details are preliminary and conceptual in nature. They are provided for general information purposes only. Anyone making use of these details and related information does so at their own risk and assumes all liability for such use. Site specific design should be performed by a licensed Professional Engineer based on actual site conditions, materials, and local practices.

Stone Strong LLC retains all common law, statutory, and other reserved rights to these drawings including the copyright. Limited license is granted to copy, reproduce, or modify the details to prepare construction drawings for Stone Strong retaining walls. Stone Strong LLC makes no warranties, either expressed or implied, of merchantability or fitness for any particular purpose, and accepts no responsibility for the accuracy, suitability, or completeness of information contained herein.



www.stonestrong.com

PROJECT

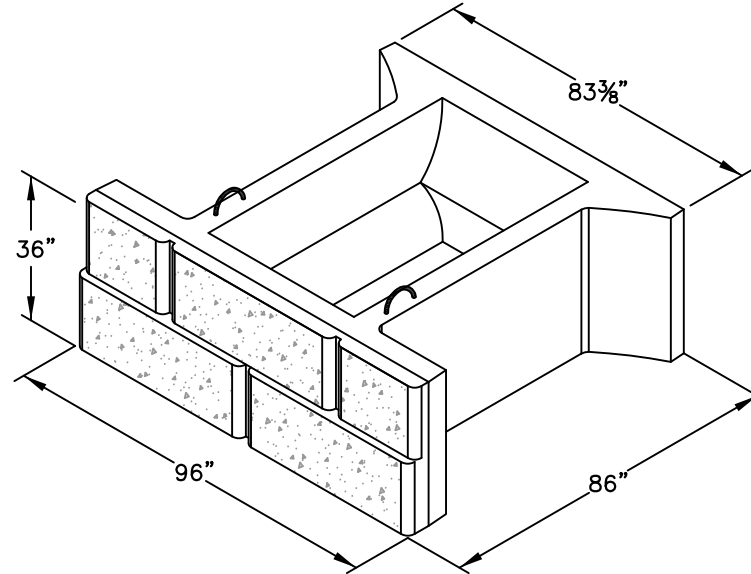
COMPONENTS
STONE STRONG SYSTEMS

DATE: 2/10/16

FILE: 08_Block.24-62

NOTES:

1. SEE FACE AND WEB MESH DETAILS FOR REINFORCEMENT GRID.
2. CHISELLED GRANITE STYLE HAS 4 DIFFERENT FACE PATTERNS ON 24-86 BLOCKS. INSTALL A, B, C, & D PATTERNS AT RANDOM IN WALL.



STONE STRONG 24-86 UNIT

NOT TO SCALE

CHECK ON AVAILABILITY OF ALL UNITS w/ LOCAL PRODUCER/ DEALER. SOME UNITS MAY HAVE LIMITED AVAILABILITY.

DISCLAIMER:

These typical details are preliminary and conceptual in nature. They are provided for general information purposes only. Anyone making use of these details and related information does so at their own risk and assumes all liability for such use. Site specific design should be performed by a licensed Professional Engineer based on actual site conditions, materials, and local practices.

Stone Strong LLC retains all common law, statutory, and other reserved rights to these drawings including the copyright. Limited license is granted to copy, reproduce, or modify the details to prepare construction drawings for Stone Strong retaining walls. Stone Strong LLC makes no warranties, either expressed or implied, of merchantability or fitness for any particular purpose, and accepts no responsibility for the accuracy, suitability, or completeness of information contained herein.



www.stonestrong.com

PROJECT

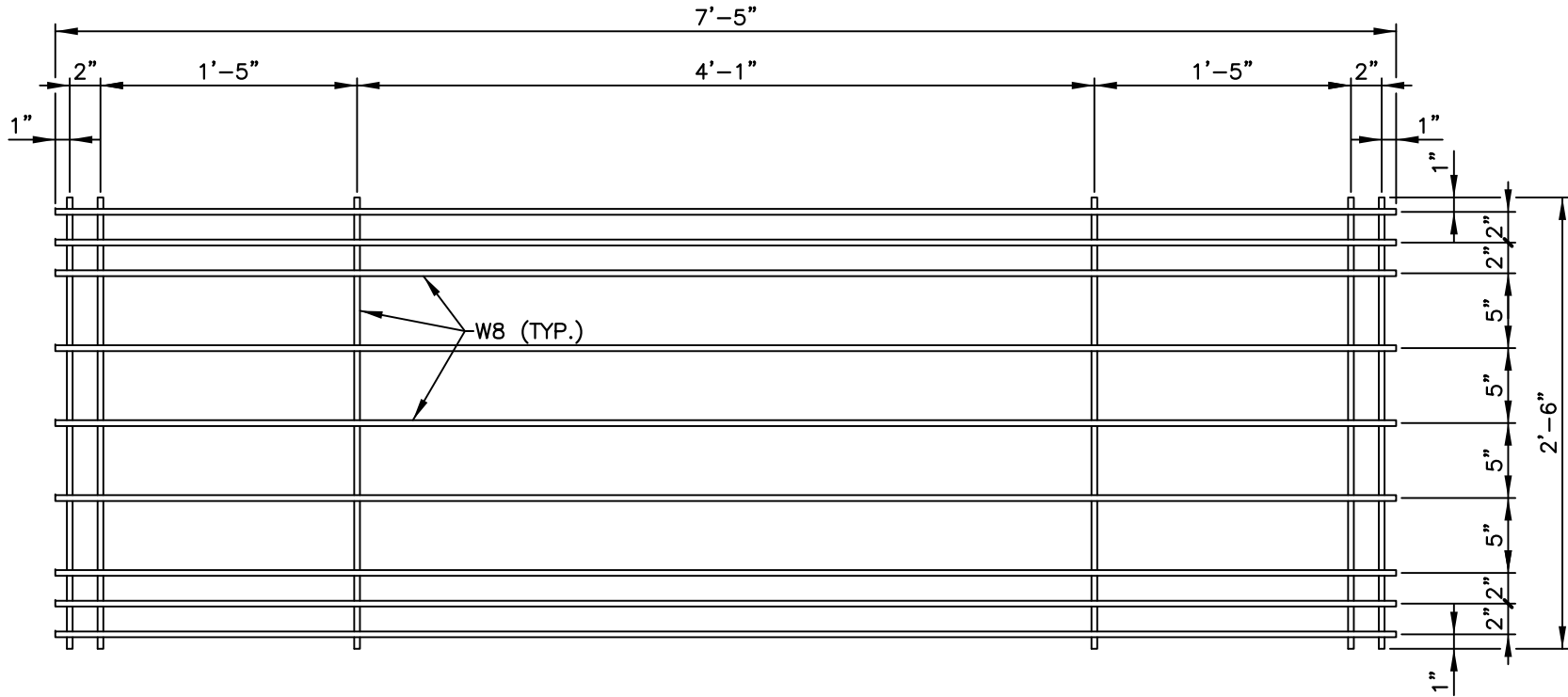
COMPONENTS
STONE STRONG SYSTEMS

DATE: 2/10/16

FILE: 09_Block.24-86

NOTES:

1. STOCK MESH OR REBAR WITH EQUIVALENT OR GREATER HORIZONTAL STEEL AREA MAY BE SUBSTITUTED FOR PREFABRICATED MESH.
2. ONE ASSEMBLY REQUIRED PER 24-62 AND 24-86 UNIT (FRONT FACE ONLY).



**STONE STRONG 24-62 & 24-86 BLOCK REINFORCEMENT
FRONT FACE MESH**

NOT TO SCALE

DISCLAIMER:

These typical details are preliminary and conceptual in nature. They are provided for general information purposes only. Anyone making use of these details and related information does so at their own risk and assumes all liability for such use. Site specific design should be performed by a licensed Professional Engineer based on actual site conditions, materials, and local practices.

Stone Strong LLC retains all common law, statutory, and other reserved rights to these drawings including the copyright. Limited license is granted to copy, reproduce, or modify the details to prepare construction drawings for Stone Strong retaining walls. Stone Strong LLC makes no warranties, either expressed or implied, of merchantability or fitness for any particular purpose, and accepts no responsibility for the accuracy, suitability, or completeness of information contained herein.



www.stonestrong.com

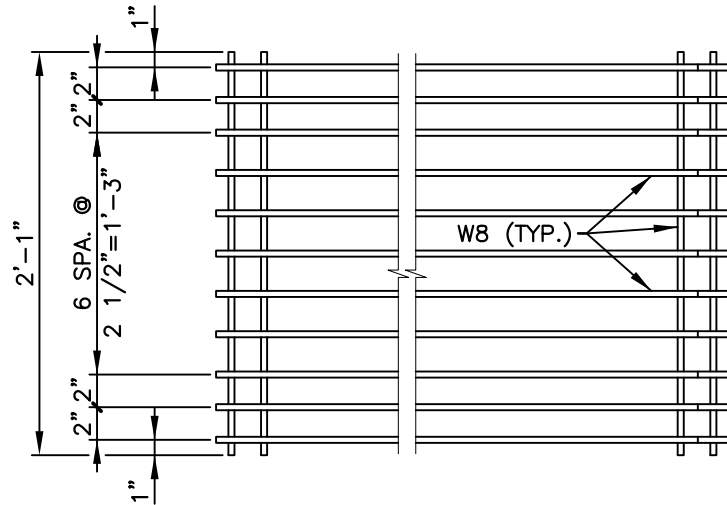
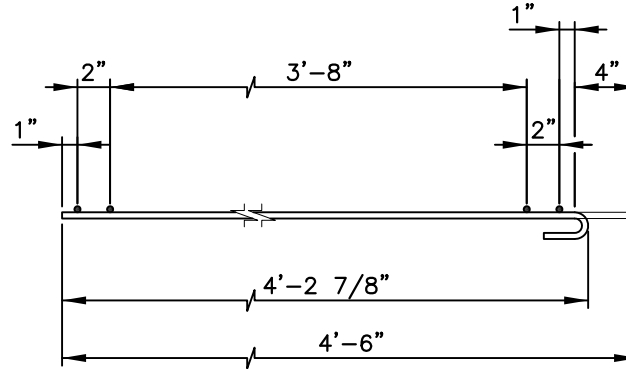
PROJECT

COMPONENTS
STONE STRONG SYSTEMS

DATE: 2/10/16 FILE: 10_24-62-86FFM

NOTES:

1. STOCK MESH OR REBAR WITH EQUIVALENT OR GREATER HORIZONTAL STEEL AREA MAY BE SUBSTITUTED FOR PREFABRICATED MESH.
2. TWO ASSEMBLIES REQUIRED PER 24-62 UNIT (ONE PER WEB).



STONE STRONG 24-62 BLOCK REINFORCEMENT

WEB MESH

NOT TO SCALE

DISCLAIMER:

These typical details are preliminary and conceptual in nature. They are provided for general information purposes only. Anyone making use of these details and related information does so at their own risk and assumes all liability for such use. Site specific design should be performed by a licensed Professional Engineer based on actual site conditions, materials, and local practices.

Stone Strong LLC retains all common law, statutory, and other reserved rights to these drawings including the copyright. Limited license is granted to copy, reproduce, or modify the details to prepare construction drawings for Stone Strong retaining walls. Stone Strong LLC makes no warranties, either expressed or implied, of merchantability or fitness for any particular purpose, and accepts no responsibility for the accuracy, suitability, or completeness of information contained herein.



www.stonestrong.com

PROJECT

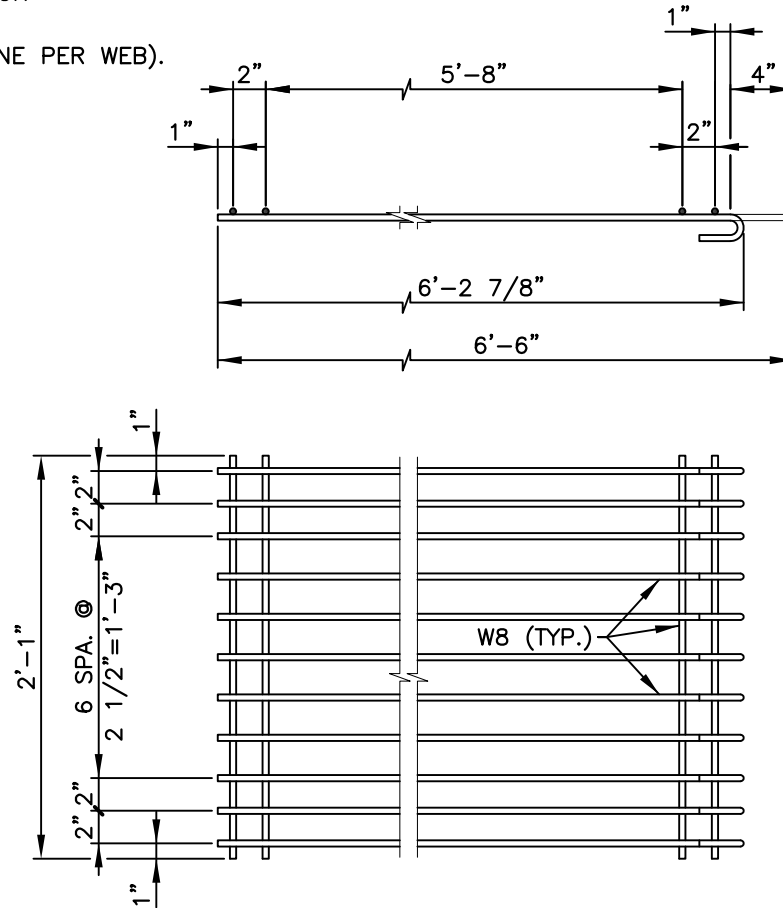
COMPONENTS
STONE STRONG SYSTEMS

DATE: 2/10/16

FILE: 11_24-62WebMesh

NOTES:

1. STOCK MESH OR REBAR WITH EQUIVALENT OR GREATER HORIZONTAL STEEL AREA MAY BE SUBSTITUTED FOR PREFABRICATED MESH.
2. TWO ASSEMBLIES REQUIRED PER 24-86 UNIT (ONE PER WEB).



STONE STRONG 24-86 BLOCK REINFORCEMENT
WEB MESH
NOT TO SCALE

DISCLAIMER:

These typical details are preliminary and conceptual in nature. They are provided for general information purposes only. Anyone making use of these details and related information does so at their own risk and assumes all liability for such use. Site specific design should be performed by a licensed Professional Engineer based on actual site conditions, materials, and local practices.

Stone Strong LLC retains all common law, statutory, and other reserved rights to these drawings including the copyright. Limited license is granted to copy, reproduce, or modify the details to prepare construction drawings for Stone Strong retaining walls. Stone Strong LLC makes no warranties, either expressed or implied, of merchantability or fitness for any particular purpose, and accepts no responsibility for the accuracy, suitability, or completeness of information contained herein.

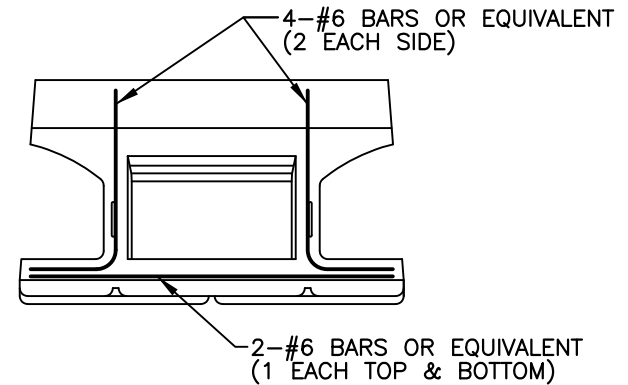
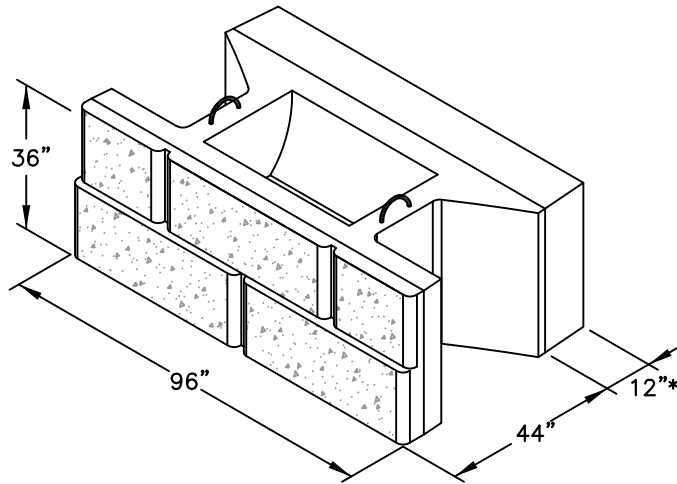


www.stonestrong.com

PROJECT

COMPONENTS
STONE STRONG SYSTEMS

DATE: 2/10/16 FILE: 12_24-86WebMesh



*OR AS INDICATED
ON LAYOUT/ELEVATION

STONE STRONG 24SF UNIT w/MASS EXTENDER

NOT TO SCALE

CHECK ON AVAILABILITY OF ALL UNITS w/ LOCAL PRODUCER/
DEALER. SOME UNITS MAY HAVE LIMITED AVAILABILITY.

DISCLAIMER:

These typical details are preliminary and conceptual in nature. They are provided for general information purposes only. Anyone making use of these details and related information does so at their own risk and assumes all liability for such use. Site specific design should be performed by a licensed Professional Engineer based on actual site conditions, materials, and local practices.

Stone Strong LLC retains all common law, statutory, and other reserved rights to these drawings including the copyright. Limited license is granted to copy, reproduce, or modify the details to prepare construction drawings for Stone Strong retaining walls. Stone Strong LLC makes no warranties, either expressed or implied, of merchantability or fitness for any particular purpose, and accepts no responsibility for the accuracy, suitability, or completeness of information contained herein.

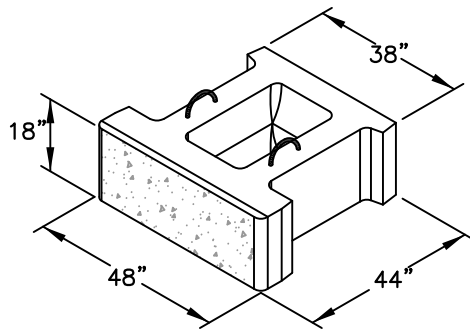


www.stonestrong.com

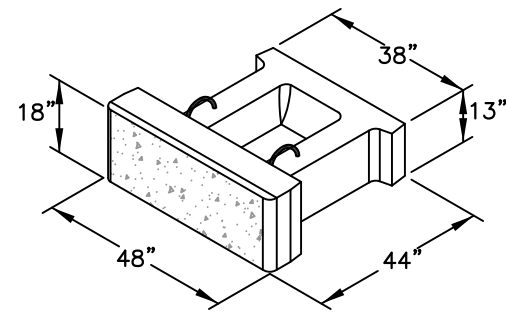
PROJECT

COMPONENTS
STONE STRONG SYSTEMS

DATE: 2/10/16 | FILE: 13_Block.24sf.MassExt



STONE STRONG 6SF UNIT
NOT TO SCALE



STONE STRONG 6SF TOP UNIT
NOT TO SCALE

DISCLAIMER:

These typical details are preliminary and conceptual in nature. They are provided for general information purposes only. Anyone making use of these details and related information does so at their own risk and assumes all liability for such use. Site specific design should be performed by a licensed Professional Engineer based on actual site conditions, materials, and local practices.

Stone Strong LLC retains all common law, statutory, and other reserved rights to these drawings including the copyright. Limited license is granted to copy, reproduce, or modify the details to prepare construction drawings for Stone Strong retaining walls. Stone Strong LLC makes no warranties, either expressed or implied, of merchantability or fitness for any particular purpose, and accepts no responsibility for the accuracy, suitability, or completeness of information contained herein.

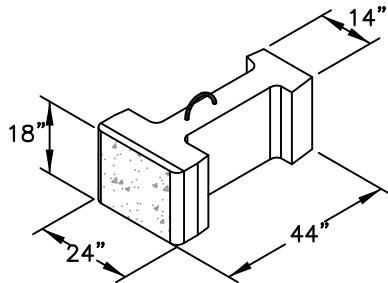


www.stonestrong.com

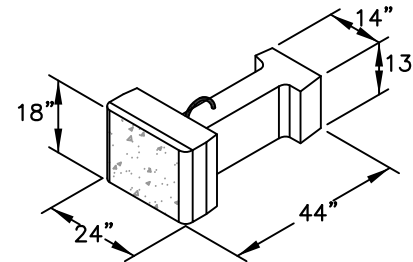
PROJECT

COMPONENTS
STONE STRONG SYSTEMS

DATE: 2/10/16 | FILE: 14_Block.6sf



STONE STRONG 3SF UNIT
NOT TO SCALE



STONE STRONG 3SF TOP UNIT
NOT TO SCALE

DISCLAIMER:

These typical details are preliminary and conceptual in nature. They are provided for general information purposes only. Anyone making use of these details and related information does so at their own risk and assumes all liability for such use. Site specific design should be performed by a licensed Professional Engineer based on actual site conditions, materials, and local practices.

Stone Strong LLC retains all common law, statutory, and other reserved rights to these drawings including the copyright. Limited license is granted to copy, reproduce, or modify the details to prepare construction drawings for Stone Strong retaining walls. Stone Strong LLC makes no warranties, either expressed or implied, of merchantability or fitness for any particular purpose, and accepts no responsibility for the accuracy, suitability, or completeness of information contained herein.

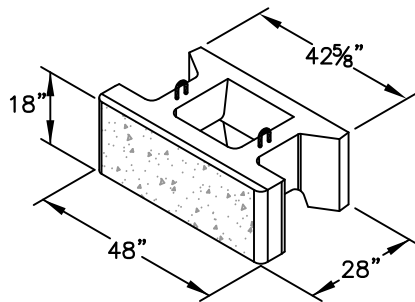


www.stonestrong.com

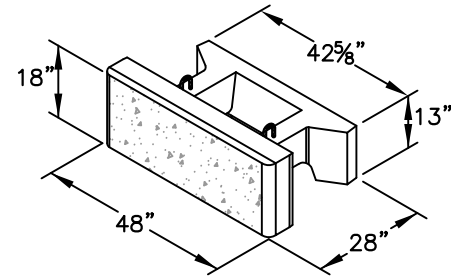
PROJECT

COMPONENTS
STONE STRONG SYSTEMS

DATE: 2/10/16 | FILE: 15_Block.3sf



STONE STRONG 6-28 UNIT
NOT TO SCALE



STONE STRONG 6-28 TOP UNIT
NOT TO SCALE

CHECK ON AVAILABILITY OF ALL UNITS w/ LOCAL PRODUCER/ DEALER. SOME UNITS MAY HAVE LIMITED AVAILABILITY.

DISCLAIMER:

These typical details are preliminary and conceptual in nature. They are provided for general information purposes only. Anyone making use of these details and related information does so at their own risk and assumes all liability for such use. Site specific design should be performed by a licensed Professional Engineer based on actual site conditions, materials, and local practices.

Stone Strong LLC retains all common law, statutory, and other reserved rights to these drawings including the copyright. Limited license is granted to copy, reproduce, or modify the details to prepare construction drawings for Stone Strong retaining walls. Stone Strong LLC makes no warranties, either expressed or implied, of merchantability or fitness for any particular purpose, and accepts no responsibility for the accuracy, suitability, or completeness of information contained herein.



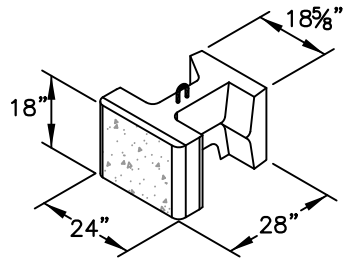
www.stonestrong.com

PROJECT

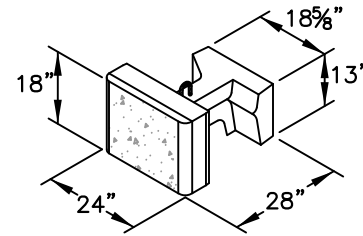
COMPONENTS
STONE STRONG SYSTEMS

DATE: 2/10/16

FILE: 16_Block.6-28



STONE STRONG
3-28 UNIT
 NOT TO SCALE



STONE STRONG
3-28 TOP UNIT
 NOT TO SCALE

CHECK ON AVAILABILITY OF ALL UNITS w/ LOCAL PRODUCER/
 DEALER. SOME UNITS MAY HAVE LIMITED AVAILABILITY.

DISCLAIMER:

These typical details are preliminary and conceptual in nature. They are provided for general information purposes only. Anyone making use of these details and related information does so at their own risk and assumes all liability for such use. Site specific design should be performed by a licensed Professional Engineer based on actual site conditions, materials, and local practices.

Stone Strong LLC retains all common law, statutory, and other reserved rights to these drawings including the copyright. Limited license is granted to copy, reproduce, or modify the details to prepare construction drawings for Stone Strong retaining walls. Stone Strong LLC makes no warranties, either expressed or implied, of merchantability or fitness for any particular purpose, and accepts no responsibility for the accuracy, suitability, or completeness of information contained herein.



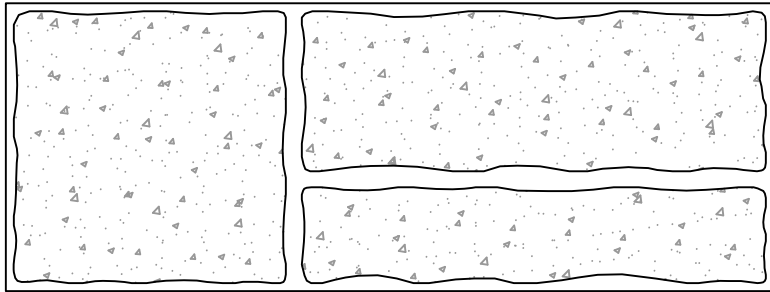
www.stonestrong.com

PROJECT

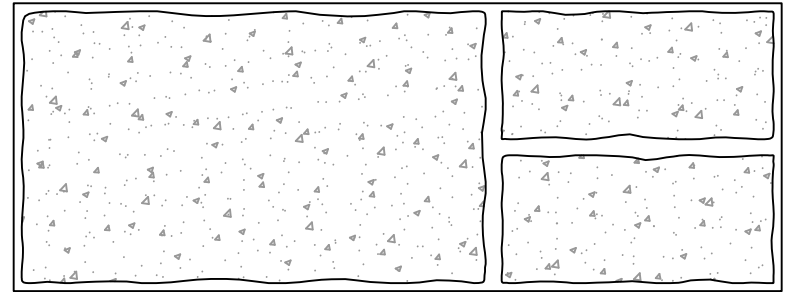
COMPONENTS
 STONE STRONG SYSTEMS

DATE: 2/10/16

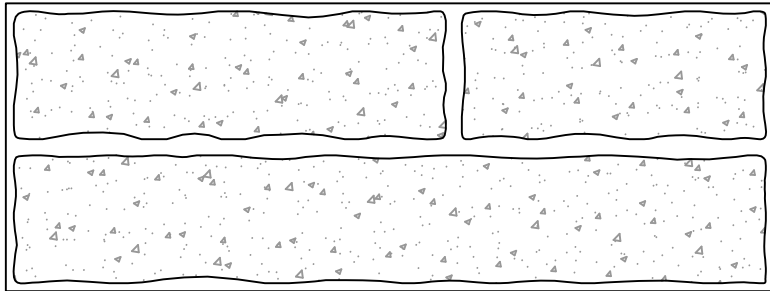
FILE: 17_Block.3-28



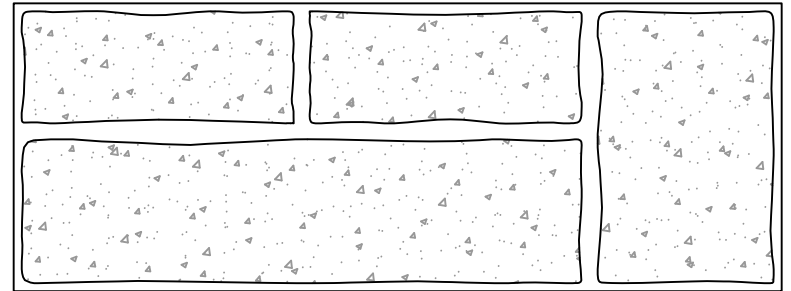
PATTERN A



PATTERN C



PATTERN B



PATTERN D


STONE STRONG
FRACTURED LEDGE FACE PATTERNS

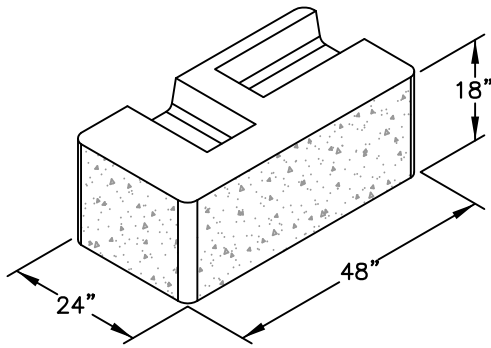
NOT TO SCALE

DISCLAIMER:

These typical details are preliminary and conceptual in nature. They are provided for general information purposes only. Anyone making use of these details and related information does so at their own risk and assumes all liability for such use. Site specific design should be performed by a licensed Professional Engineer based on actual site conditions, materials, and local practices.

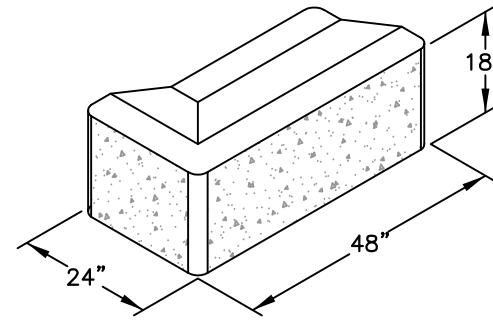
Stone Strong LLC retains all common law, statutory, and other reserved rights to these drawings including the copyright. Limited license is granted to copy, reproduce, or modify the details to prepare construction drawings for Stone Strong retaining walls. Stone Strong LLC makes no warranties, either expressed or implied, of merchantability or fitness for any particular purpose, and accepts no responsibility for the accuracy, suitability, or completeness of information contained herein.

 www.stonestrong.com	PROJECT	
	COMPONENTS STONE STRONG SYSTEMS	
	DATE: 2/10/16	FILE: 18_Fractured Ledge Pattern



STONE STRONG CORNER UNIT

NOT TO SCALE



STONE STRONG END UNIT

NOT TO SCALE

DISCLAIMER:

These typical details are preliminary and conceptual in nature. They are provided for general information purposes only. Anyone making use of these details and related information does so at their own risk and assumes all liability for such use. Site specific design should be performed by a licensed Professional Engineer based on actual site conditions, materials, and local practices.

Stone Strong LLC retains all common law, statutory, and other reserved rights to these drawings including the copyright. Limited license is granted to copy, reproduce, or modify the details to prepare construction drawings for Stone Strong retaining walls. Stone Strong LLC makes no warranties, either expressed or implied, of merchantability or fitness for any particular purpose, and accepts no responsibility for the accuracy, suitability, or completeness of information contained herein.



www.stonestrong.com

PROJECT

COMPONENTS
STONE STRONG SYSTEMS

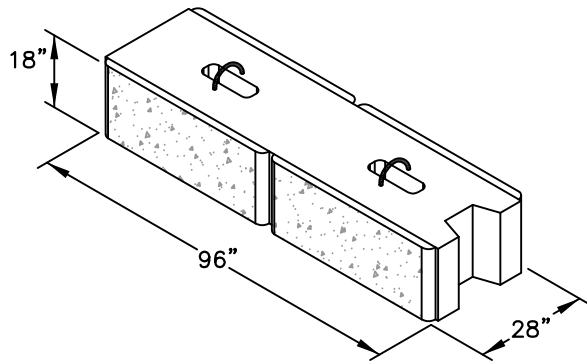
DATE: 2/10/16 | FILE: 19_Block.End.Corner

NOTE:

ENDS MAY BE MITERED FOR INSTALLATION ON A RADIUS. UNITS MAY BE CUT OR FORMED AS NEEDED IN LENGTHS BETWEEN 2.0 FEET AND 8.0 FEET.

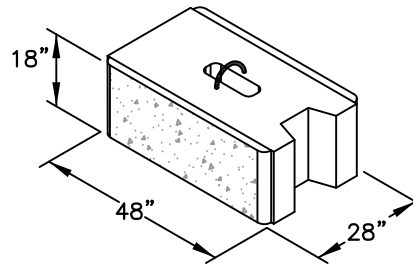
OPTIONAL:

BACKER RODS, GROUT OR MASTIC MAY BE USED BETWEEN COURSES.



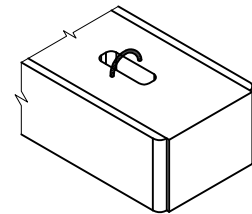
STONE STRONG
DUAL FACE UNIT

NOT TO SCALE



STONE STRONG
DUAL FACE HALF UNIT

NOT TO SCALE



ALTERNATE
FINISHED END

NOT TO SCALE

CHECK ON AVAILABILITY OF ALL UNITS w/ LOCAL PRODUCER/ DEALER. SOME UNITS MAY HAVE LIMITED AVAILABILITY.

DISCLAIMER:

These typical details are preliminary and conceptual in nature. They are provided for general information purposes only. Anyone making use of these details and related information does so at their own risk and assumes all liability for such use. Site specific design should be performed by a licensed Professional Engineer based on actual site conditions, materials, and local practices.

Stone Strong LLC retains all common law, statutory, and other reserved rights to these drawings including the copyright. Limited license is granted to copy, reproduce, or modify the details to prepare construction drawings for Stone Strong retaining walls. Stone Strong LLC makes no warranties, either expressed or implied, of merchantability or fitness for any particular purpose, and accepts no responsibility for the accuracy, suitability, or completeness of information contained herein.



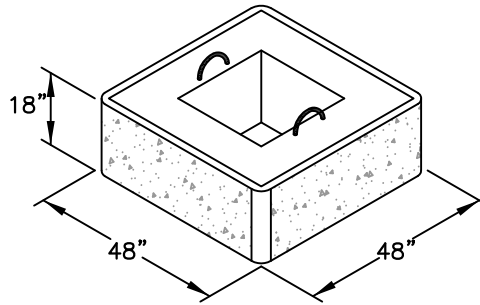
www.stonestrong.com

PROJECT

COMPONENTS
STONE STRONG SYSTEMS

DATE: 2/10/16

FILE: 20_Block.DualFace



STONE STRONG 90° CORNER UNIT

NOT TO SCALE

CHECK ON AVAILABILITY OF ALL UNITS w/ LOCAL PRODUCER/
DEALER. SOME UNITS MAY HAVE LIMITED AVAILABILITY.

DISCLAIMER:

These typical details are preliminary and conceptual in nature. They are provided for general information purposes only. Anyone making use of these details and related information does so at their own risk and assumes all liability for such use. Site specific design should be performed by a licensed Professional Engineer based on actual site conditions, materials, and local practices.

Stone Strong LLC retains all common law, statutory, and other reserved rights to these drawings including the copyright. Limited license is granted to copy, reproduce, or modify the details to prepare construction drawings for Stone Strong retaining walls. Stone Strong LLC makes no warranties, either expressed or implied, of merchantability or fitness for any particular purpose, and accepts no responsibility for the accuracy, suitability, or completeness of information contained herein.

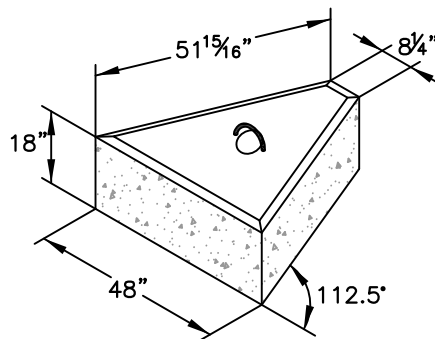


www.stonestrong.com

PROJECT

COMPONENTS
STONE STRONG SYSTEMS

DATE: 2/10/16 | FILE: 21_Block.90Corner



STONE STRONG 45° CORNER UNIT

NOT TO SCALE

CHECK ON AVAILABILITY OF ALL UNITS w/ LOCAL PRODUCER/ DEALER. SOME UNITS MAY HAVE LIMITED AVAILABILITY.

DISCLAIMER:

These typical details are preliminary and conceptual in nature. They are provided for general information purposes only. Anyone making use of these details and related information does so at their own risk and assumes all liability for such use. Site specific design should be performed by a licensed Professional Engineer based on actual site conditions, materials, and local practices.

Stone Strong LLC retains all common law, statutory, and other reserved rights to these drawings including the copyright. Limited license is granted to copy, reproduce, or modify the details to prepare construction drawings for Stone Strong retaining walls. Stone Strong LLC makes no warranties, either expressed or implied, of merchantability or fitness for any particular purpose, and accepts no responsibility for the accuracy, suitability, or completeness of information contained herein.



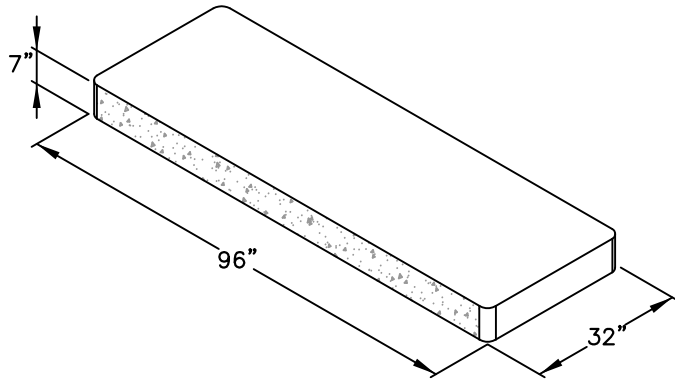
www.stonestrong.com

PROJECT

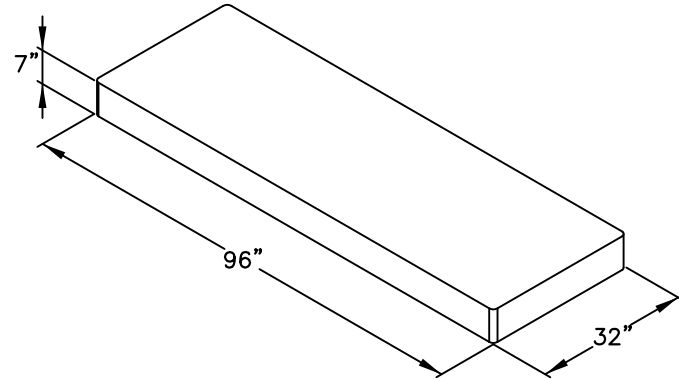
COMPONENTS
STONE STRONG SYSTEMS

DATE: 2/10/16 | FILE: 22_Block.45Corner

NOTE:
 ENDS MAY BE MITERED FOR INSTALLATION ON A RADIUS. UNITS MAY BE CUT OR FORMED AS NEEDED IN LENGTHS BETWEEN 2.0 FEET AND 8.0 FEET.



CAP-STEP BLOCK
 NOT TO SCALE



FLAT CAP-STEP BLOCK
 NOT TO SCALE

DISCLAIMER:

These typical details are preliminary and conceptual in nature. They are provided for general information purposes only. Anyone making use of these details and related information does so at their own risk and assumes all liability for such use. Site specific design should be performed by a licensed Professional Engineer based on actual site conditions, materials, and local practices.

Stone Strong LLC retains all common law, statutory, and other reserved rights to these drawings including the copyright. Limited license is granted to copy, reproduce, or modify the details to prepare construction drawings for Stone Strong retaining walls. Stone Strong LLC makes no warranties, either expressed or implied, of merchantability or fitness for any particular purpose, and accepts no responsibility for the accuracy, suitability, or completeness of information contained herein.

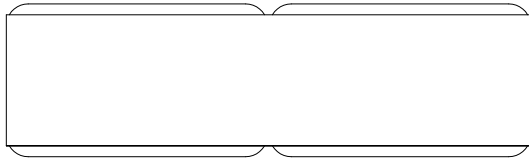


www.stonestrong.com

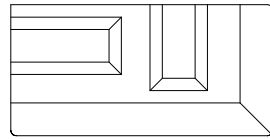
PROJECT

COMPONENTS
 STONE STRONG SYSTEMS

DATE: 2/10/16 | FILE: 23_Block.Cap



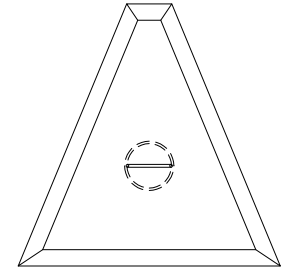
DUAL FACE UNIT



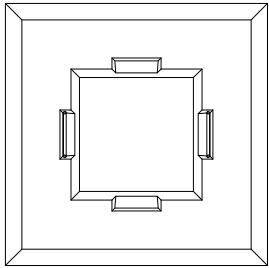
CORNER UNIT



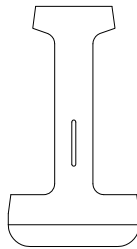
END UNIT



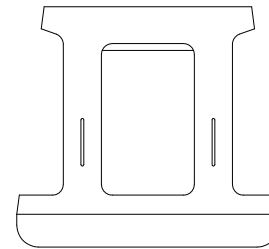
45° CORNER UNIT



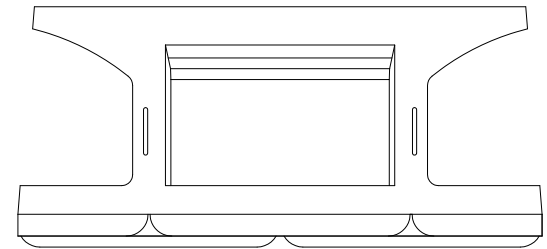
90° CORNER UNIT



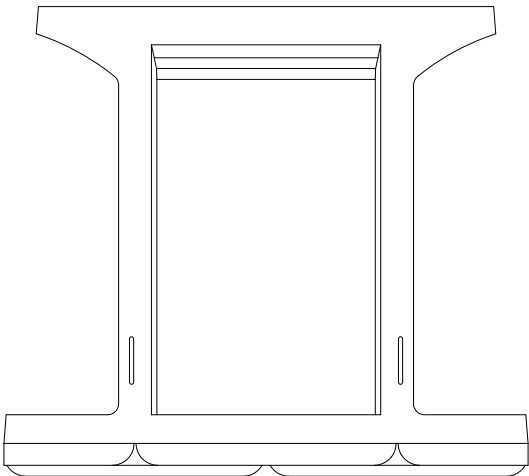
3SF UNIT



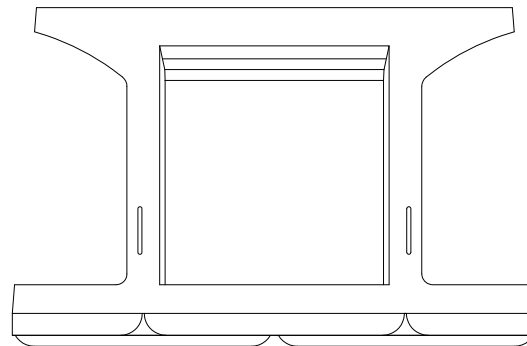
6SF UNIT



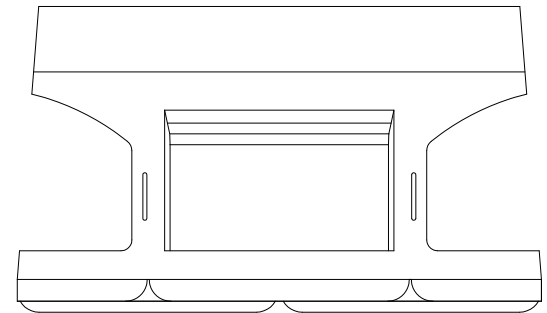
24SF UNIT



24-86 UNIT



24-62 UNIT



24SF MASS EXTENDER UNIT

STANDARD LAYOUT ELEMENTS

DISCLAIMER:

These typical details are preliminary and conceptual in nature. They are provided for general information purposes only. Anyone making use of these details and related information does so at their own risk and assumes all liability for such use. Site specific design should be performed by a licensed Professional Engineer based on actual site conditions, materials, and local practices.

Stone Strong LLC retains all common law, statutory, and other reserved rights to these drawings including the copyright. Limited license is granted to copy, reproduce, or modify the details to prepare construction drawings for Stone Strong retaining walls. Stone Strong LLC makes no warranties, either expressed or implied, of merchantability or fitness for any particular purpose, and accepts no responsibility for the accuracy, suitability, or completeness of information contained herein.



www.stonestrong.com

PROJECT

COMPONENTS
STONE STRONG SYSTEMS

DATE: 2/10/16 | FILE: 24_UnitPlanView