

## DUAL FACE LIGHT POLE

NOT TO SCALE

CHECK ON AVAILABILITY OF ALL UNITS w/ LOCAL PRODUCER/ DEALER. SOME UNITS MAY HAVE LIMITED AVAILABILITY.

**DISCLAIMER:**

These typical details are preliminary and conceptual in nature. They are provided for general information purposes only. Anyone making use of these details and related information does so at their own risk and assumes all liability for such use. Site specific design should be performed by a licensed Professional Engineer based on actual site conditions, materials, and local practices.

Stone Strong LLC retains all common law, statutory, and other reserved rights to these drawings including the copyright. Limited license is granted to copy, reproduce, or modify the details to prepare construction drawings for Stone Strong retaining walls. Stone Strong LLC makes no warranties, either expressed or implied, of merchantability or fitness for any particular purpose, and accepts no responsibility for the accuracy, suitability, or completeness of information contained herein.

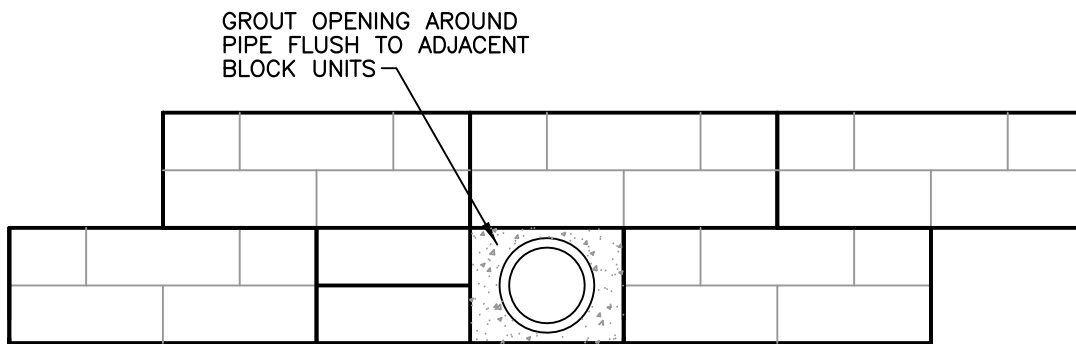


www.stonestrong.com

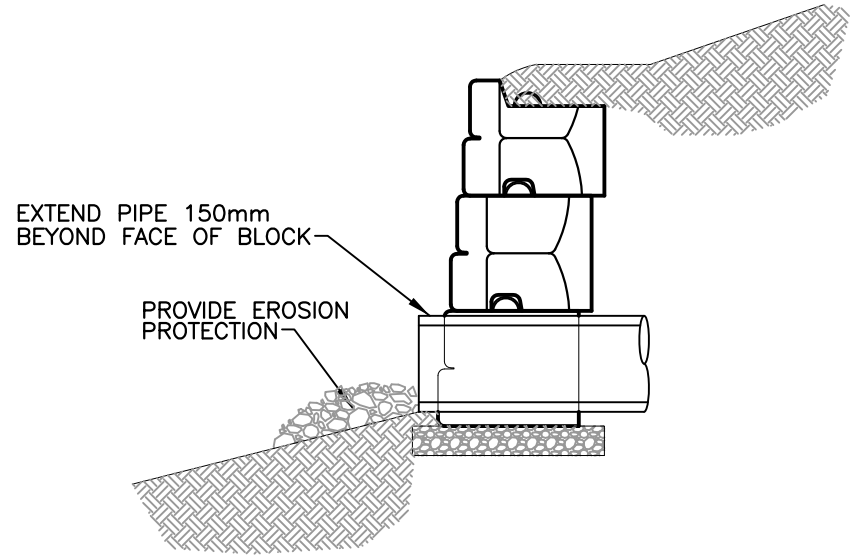
PROJECT

MISC. APPLICATIONS  
STONE STRONG SYSTEMS

DATE: 3/29/17 FILE: 01\_DF.LightPole



FACE ELEVATION



SECTION THROUGH WALL

GROUTED PIPE OUTLET  
NOT TO SCALE

**DISCLAIMER:**

These typical details are preliminary and conceptual in nature. They are provided for general information purposes only. Anyone making use of these details and related information does so at their own risk and assumes all liability for such use. Site specific design should be performed by a licensed Professional Engineer based on actual site conditions, materials, and local practices.

Stone Strong LLC retains all common law, statutory, and other reserved rights to these drawings including the copyright. Limited license is granted to copy, reproduce, or modify the details to prepare construction drawings for Stone Strong retaining walls. Stone Strong LLC makes no warranties, either expressed or implied, of merchantability or fitness for any particular purpose, and accepts no responsibility for the accuracy, suitability, or completeness of information contained herein.

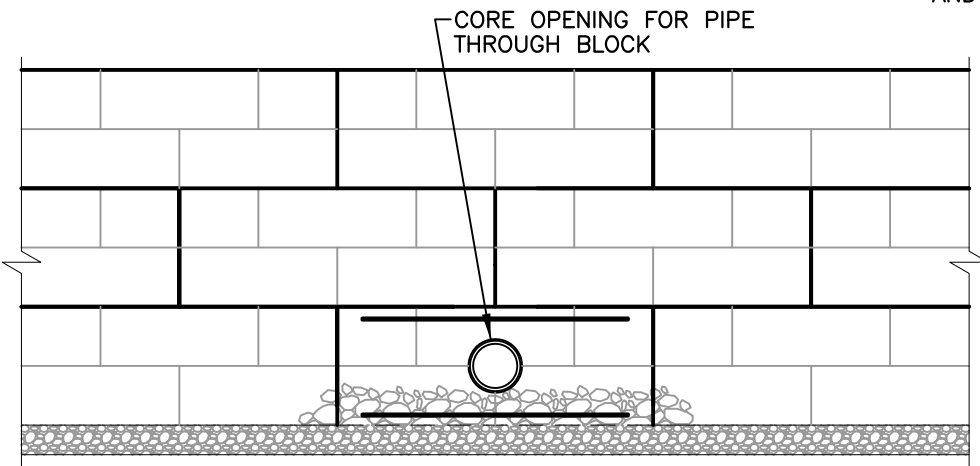


[www.stonestrong.com](http://www.stonestrong.com)

PROJECT

MISC. APPLICATIONS  
STONE STRONG SYSTEMS

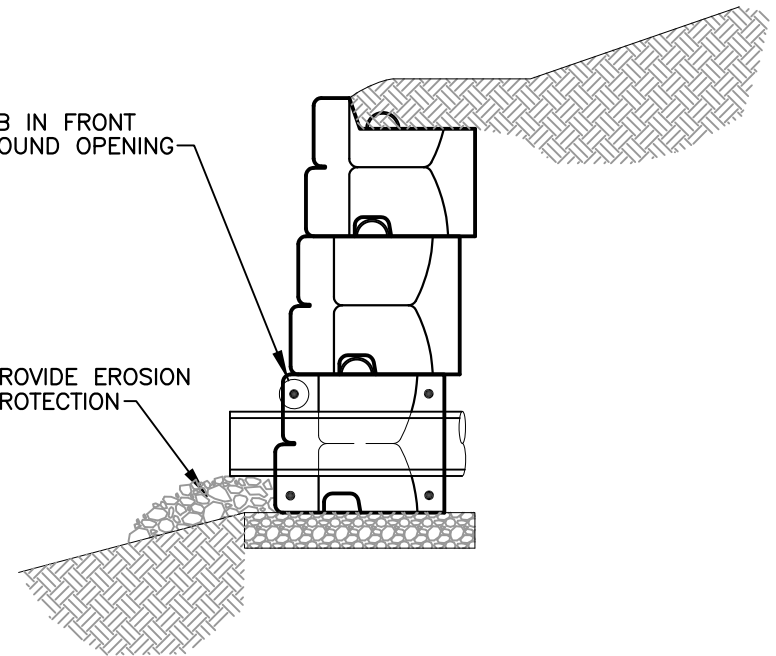
DATE: 2/10/16 | FILE: 02\_PipeOutlet.Grout



FACE ELEVATION

PROVIDE #6 BAR T&B IN FRONT AND REAR FACES AROUND OPENING

PROVIDE EROSION PROTECTION



SECTION THROUGH WALL

## CORED PIPE OUTLET

NOT TO SCALE

**DISCLAIMER:**

These typical details are preliminary and conceptual in nature. They are provided for general information purposes only. Anyone making use of these details and related information does so at their own risk and assumes all liability for such use. Site specific design should be performed by a licensed Professional Engineer based on actual site conditions, materials, and local practices.

Stone Strong LLC retains all common law, statutory, and other reserved rights to these drawings including the copyright. Limited license is granted to copy, reproduce, or modify the details to prepare construction drawings for Stone Strong retaining walls. Stone Strong LLC makes no warranties, either expressed or implied, of merchantability or fitness for any particular purpose, and accepts no responsibility for the accuracy, suitability, or completeness of information contained herein.

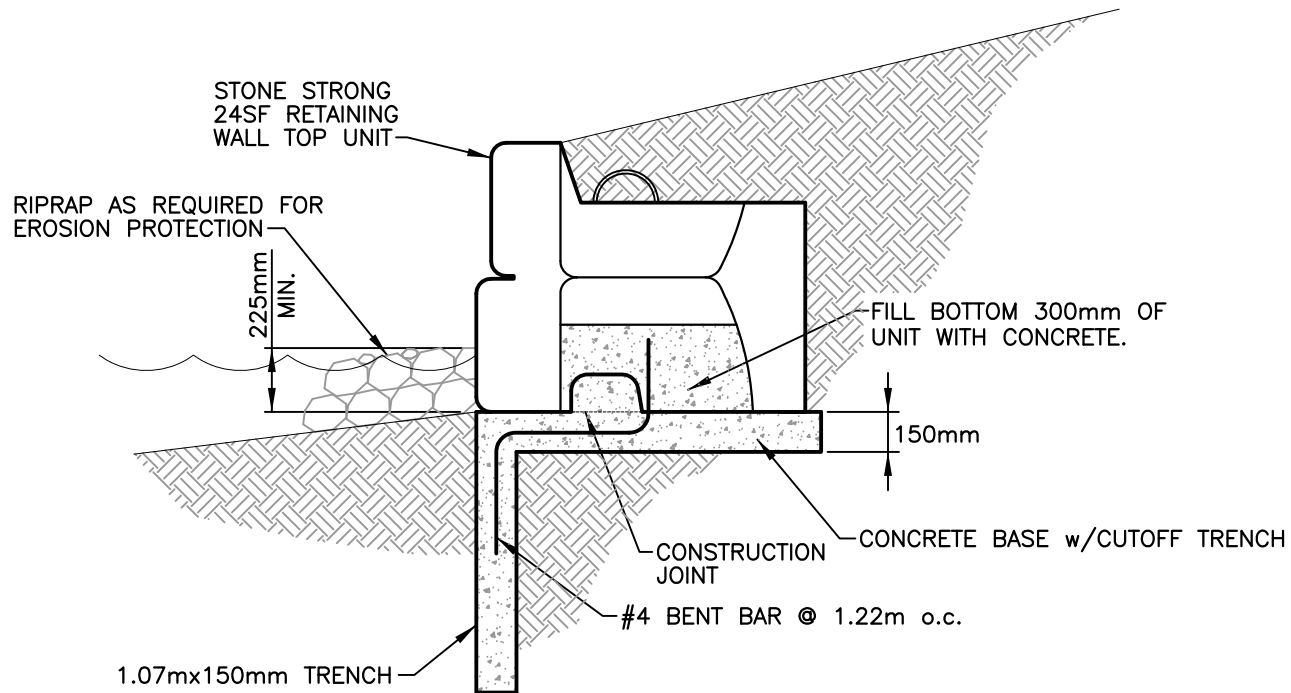


[www.stonestrong.com](http://www.stonestrong.com)

PROJECT

MISC. APPLICATIONS  
STONE STRONG SYSTEMS

DATE: 2/10/16 | FILE: 03\_PipeOutlet.Core



**NOTE:**

WAVE AND ICE CONSIDERATIONS SHOULD BE EVALUATED TO DETERMINE THE MINIMUM BORDER HEIGHT AND RIPRAP REQUIREMENTS. EROSION OF THE BASE AND WAVE OVERTOPPING CAN DESTABILIZE THE BORDER. ICE LOADS MAY ALSO CONTROL THE DESIGN.

**POND BORDER WALL**  
**CONCRETE BASE**  
 NOT TO SCALE

**DISCLAIMER:**

These typical details are preliminary and conceptual in nature. They are provided for general information purposes only. Anyone making use of these details and related information does so at their own risk and assumes all liability for such use. Site specific design should be performed by a licensed Professional Engineer based on actual site conditions, materials, and local practices.

Stone Strong LLC retains all common law, statutory, and other reserved rights to these drawings including the copyright. Limited license is granted to copy, reproduce, or modify the details to prepare construction drawings for Stone Strong retaining walls. Stone Strong LLC makes no warranties, either expressed or implied, of merchantability or fitness for any particular purpose, and accepts no responsibility for the accuracy, suitability, or completeness of information contained herein.



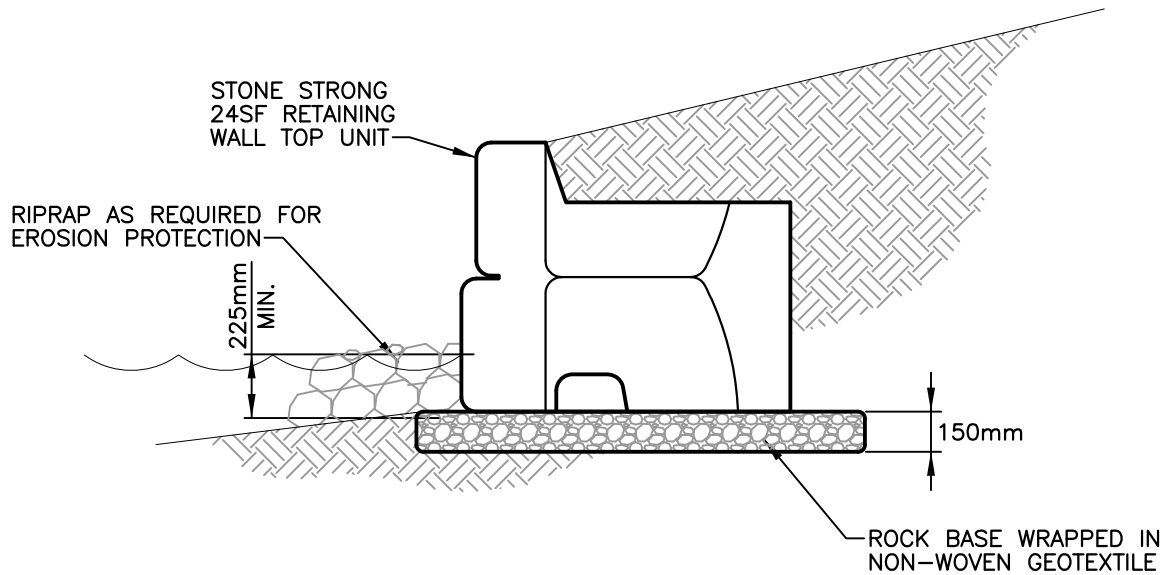
www.stonestrong.com

PROJECT

MISC. APPLICATIONS  
 STONE STRONG SYSTEMS

DATE: 2/10/16

FILE: 04\_PondBorder.Concrete



**NOTE:**

WAVE AND ICE CONSIDERATIONS SHOULD BE EVALUATED TO DETERMINE THE MINIMUM BORDER HEIGHT AND RIPRAP REQUIREMENTS. EROSION OF THE BASE AND WAVE OVERTOPPING CAN DESTABILIZE THE BORDER. ICE LOADS MAY ALSO CONTROL THE DESIGN.

POND BORDER WALL  
ROCK BASE  
NOT TO SCALE

**DISCLAIMER:**

These typical details are preliminary and conceptual in nature. They are provided for general information purposes only. Anyone making use of these details and related information does so at their own risk and assumes all liability for such use. Site specific design should be performed by a licensed Professional Engineer based on actual site conditions, materials, and local practices.

Stone Strong LLC retains all common law, statutory, and other reserved rights to these drawings including the copyright. Limited license is granted to copy, reproduce, or modify the details to prepare construction drawings for Stone Strong retaining walls. Stone Strong LLC makes no warranties, either expressed or implied, of merchantability or fitness for any particular purpose, and accepts no responsibility for the accuracy, suitability, or completeness of information contained herein.



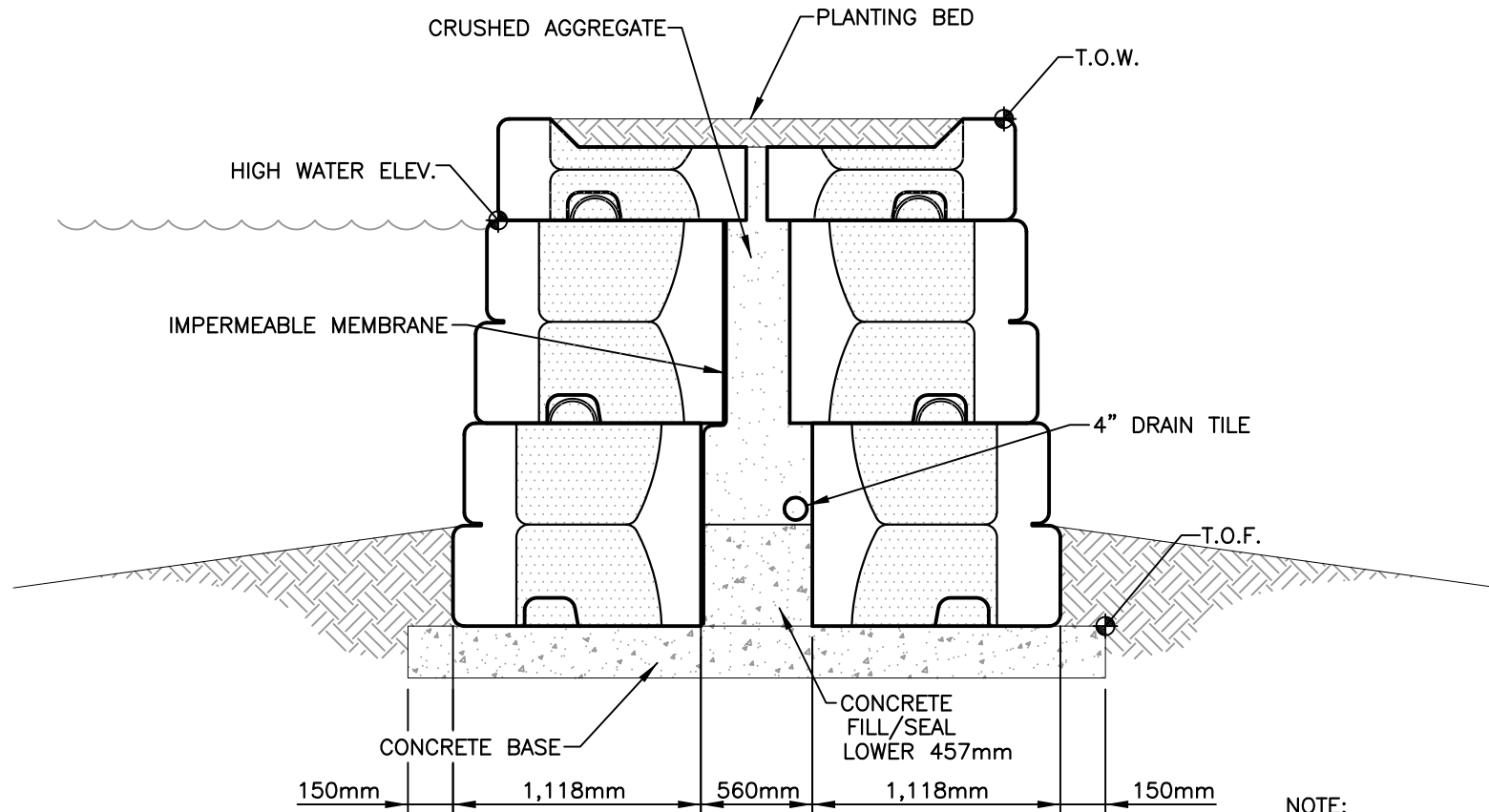
[www.stonestrong.com](http://www.stonestrong.com)

PROJECT

MISC. APPLICATIONS  
STONE STRONG SYSTEMS

DATE: 2/10/16

FILE: 05\_PondBorder.Rock



NOTE:  
NON-STANDARD APPLICATION –  
REQUIRES ADAPTATION TO  
SPECIFIC PROJECT.

## DETENTION WALL CROSS SECTION

NOT TO SCALE

### DISCLAIMER:

These typical details are preliminary and conceptual in nature. They are provided for general information purposes only. Anyone making use of these details and related information does so at their own risk and assumes all liability for such use. Site specific design should be performed by a licensed Professional Engineer based on actual site conditions, materials, and local practices.

Stone Strong LLC retains all common law, statutory, and other reserved rights to these drawings including the copyright. Limited license is granted to copy, reproduce, or modify the details to prepare construction drawings for Stone Strong retaining walls. Stone Strong LLC makes no warranties, either expressed or implied, of merchantability or fitness for any particular purpose, and accepts no responsibility for the accuracy, suitability, or completeness of information contained herein.

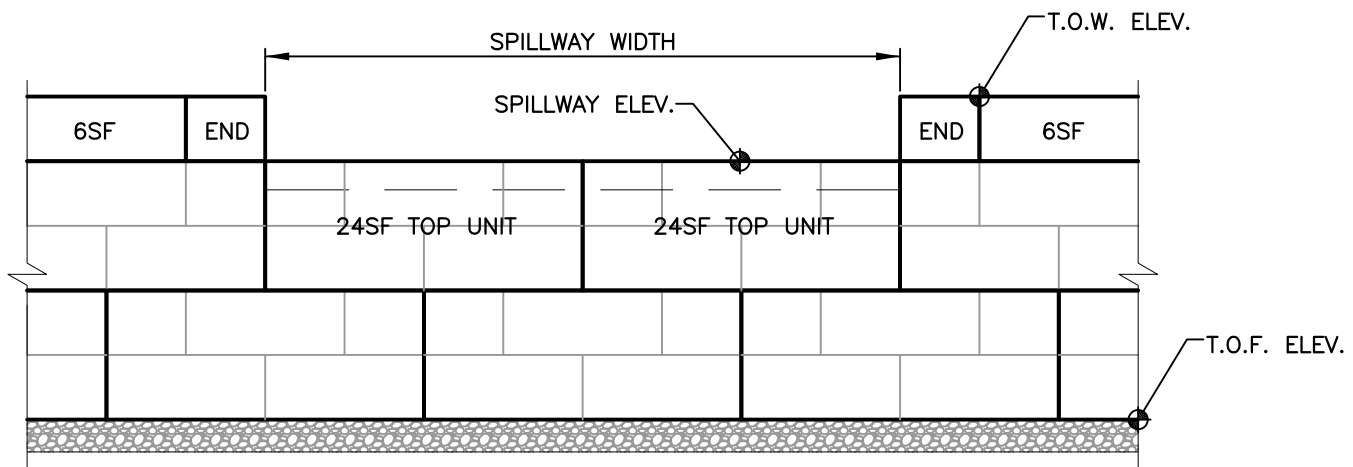


www.stonestrong.com

PROJECT

MISC. APPLICATIONS  
STONE STRONG SYSTEMS

DATE: 2/10/16 FILE: 06\_Detention.XSec



**NOTE:**  
 NON-STANDARD APPLICATION –  
 REQUIRES ADAPTATION TO  
 SPECIFIC PROJECT.

## SPILLWAY ELEVATION

NOT TO SCALE

**DISCLAIMER:**

These typical details are preliminary and conceptual in nature. They are provided for general information purposes only. Anyone making use of these details and related information does so at their own risk and assumes all liability for such use. Site specific design should be performed by a licensed Professional Engineer based on actual site conditions, materials, and local practices.

Stone Strong LLC retains all common law, statutory, and other reserved rights to these drawings including the copyright. Limited license is granted to copy, reproduce, or modify the details to prepare construction drawings for Stone Strong retaining walls. Stone Strong LLC makes no warranties, either expressed or implied, of merchantability or fitness for any particular purpose, and accepts no responsibility for the accuracy, suitability, or completeness of information contained herein.



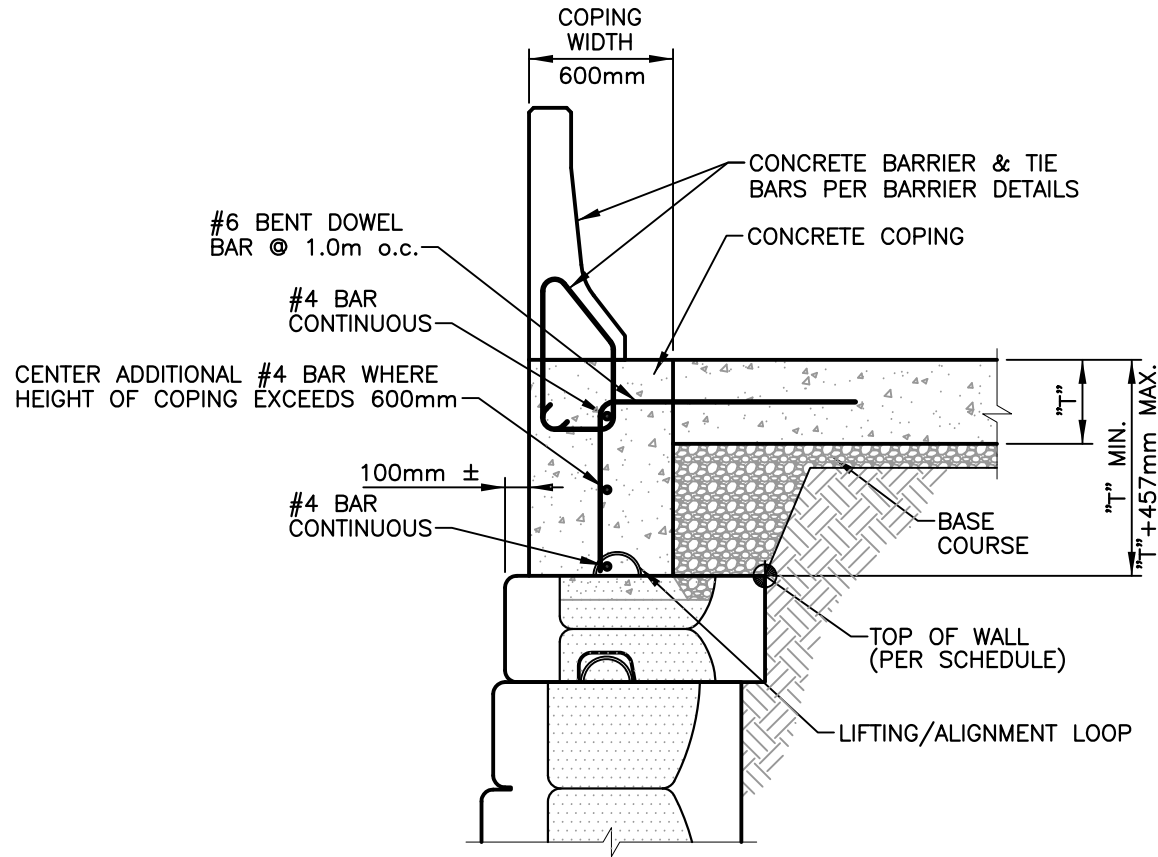
[www.stonestrong.com](http://www.stonestrong.com)

PROJECT

MISC. APPLICATIONS  
 STONE STRONG SYSTEMS

DATE: 2/10/16

FILE: 07\_Spillway.Elev



## CONCRETE COPING DETAIL

NOT TO SCALE

### DISCLAIMER:

These typical details are preliminary and conceptual in nature. They are provided for general information purposes only. Anyone making use of these details and related information does so at their own risk and assumes all liability for such use. Site specific design should be performed by a licensed Professional Engineer based on actual site conditions, materials, and local practices.

Stone Strong LLC retains all common law, statutory, and other reserved rights to these drawings including the copyright. Limited license is granted to copy, reproduce, or modify the details to prepare construction drawings for Stone Strong retaining walls. Stone Strong LLC makes no warranties, either expressed or implied, of merchantability or fitness for any particular purpose, and accepts no responsibility for the accuracy, suitability, or completeness of information contained herein.



[www.stonestrong.com](http://www.stonestrong.com)

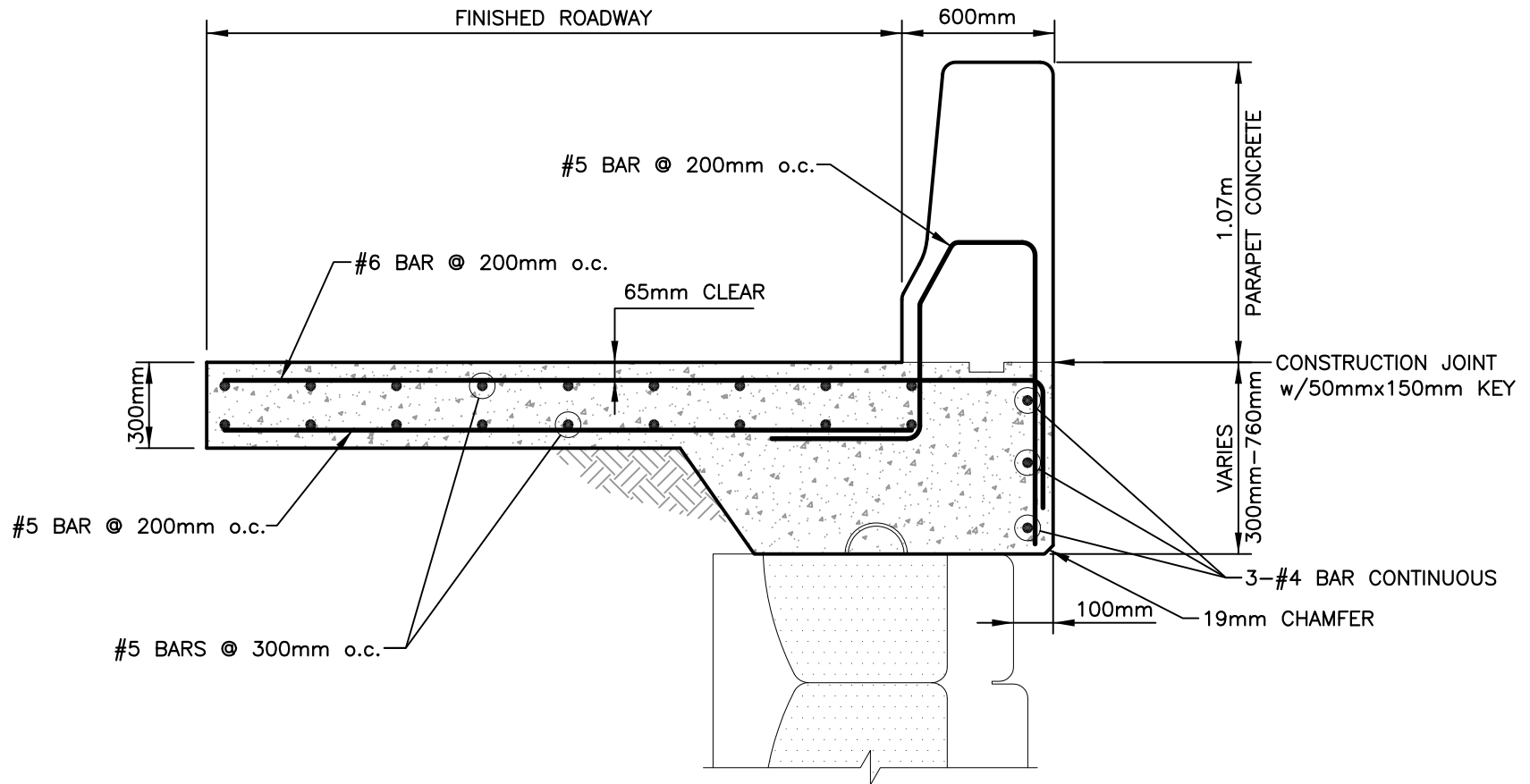
PROJECT

MISC. APPLICATIONS  
STONE STRONG SYSTEMS

DATE: 2/10/16

FILE: 08\_Barrier.Coping





## MOMENT SLAB

NOT TO SCALE

**DISCLAIMER:**

These typical details are preliminary and conceptual in nature. They are provided for general information purposes only. Anyone making use of these details and related information does so at their own risk and assumes all liability for such use. Site specific design should be performed by a licensed Professional Engineer based on actual site conditions, materials, and local practices.

Stone Strong LLC retains all common law, statutory, and other reserved rights to these drawings including the copyright. Limited license is granted to copy, reproduce, or modify the details to prepare construction drawings for Stone Strong retaining walls. Stone Strong LLC makes no warranties, either expressed or implied, of merchantability or fitness for any particular purpose, and accepts no responsibility for the accuracy, suitability, or completeness of information contained herein.



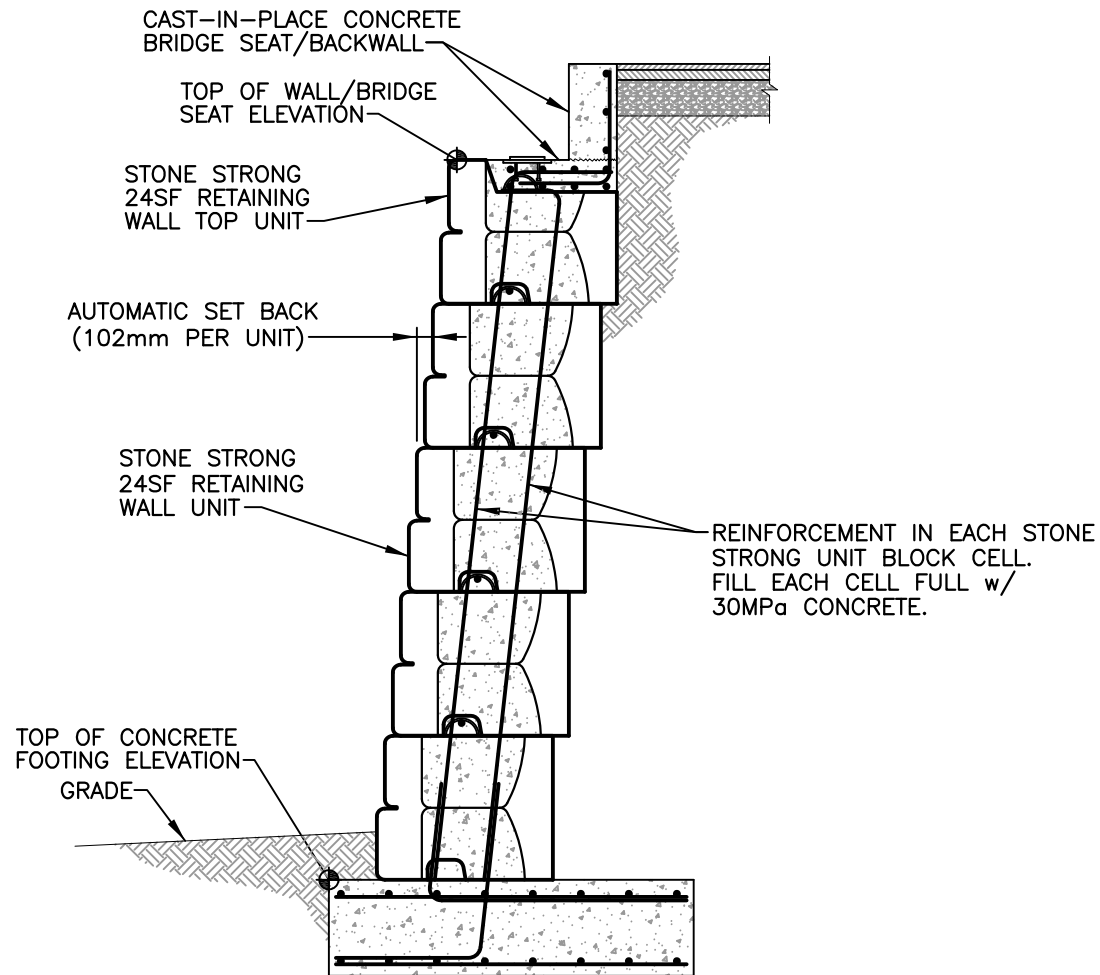
[www.stonestrong.com](http://www.stonestrong.com)

PROJECT

MISC. APPLICATIONS  
STONE STRONG SYSTEMS

DATE: 2/10/16

FILE: 09\_MomentSlab



## BRIDGE ABUTMENT SECTION

NOT TO SCALE

### DISCLAIMER:

These typical details are preliminary and conceptual in nature. They are provided for general information purposes only. Anyone making use of these details and related information does so at their own risk and assumes all liability for such use. Site specific design should be performed by a licensed Professional Engineer based on actual site conditions, materials, and local practices.

Stone Strong LLC retains all common law, statutory, and other reserved rights to these drawings including the copyright. Limited license is granted to copy, reproduce, or modify the details to prepare construction drawings for Stone Strong retaining walls. Stone Strong LLC makes no warranties, either expressed or implied, of merchantability or fitness for any particular purpose, and accepts no responsibility for the accuracy, suitability, or completeness of information contained herein.

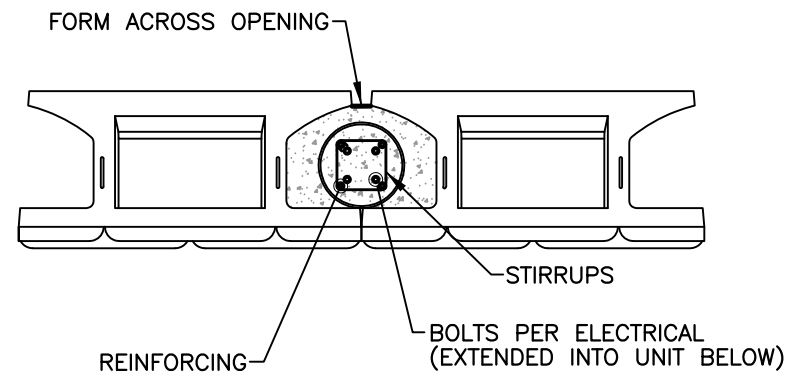
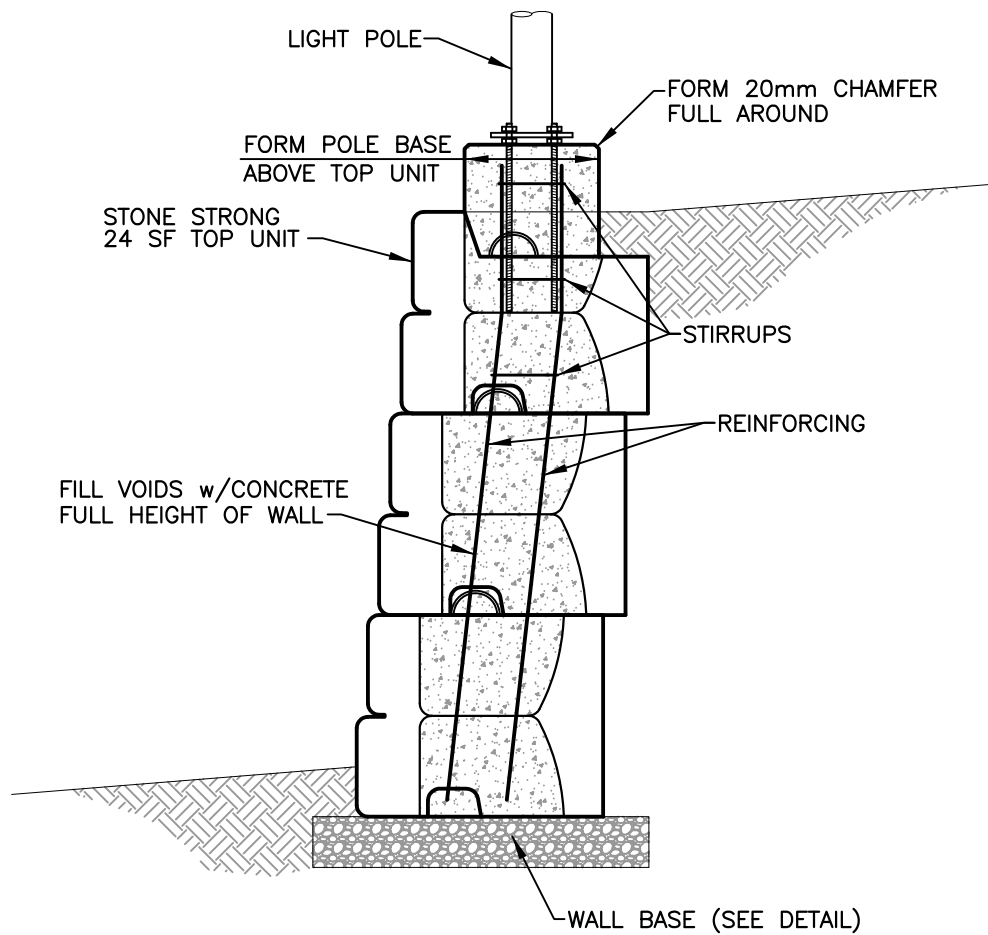


[www.stonestrong.com](http://www.stonestrong.com)

PROJECT

MISC. APPLICATIONS  
STONE STRONG SYSTEMS

DATE: 2/10/16 | FILE: 10\_Bridge\_Abutment



## 24 SF UNIT LIGHT POLE

NOT TO SCALE

**DISCLAIMER:**

These typical details are preliminary and conceptual in nature. They are provided for general information purposes only. Anyone making use of these details and related information does so at their own risk and assumes all liability for such use. Site specific design should be performed by a licensed Professional Engineer based on actual site conditions, materials, and local practices.

Stone Strong LLC retains all common law, statutory, and other reserved rights to these drawings including the copyright. Limited license is granted to copy, reproduce, or modify the details to prepare construction drawings for Stone Strong retaining walls. Stone Strong LLC makes no warranties, either expressed or implied, of merchantability or fitness for any particular purpose, and accepts no responsibility for the accuracy, suitability, or completeness of information contained herein.



[www.stonestrong.com](http://www.stonestrong.com)

PROJECT

MISC. APPLICATIONS  
STONE STRONG SYSTEMS

DATE: 3/29/17 | FILE: 11\_24 SF.LightPole