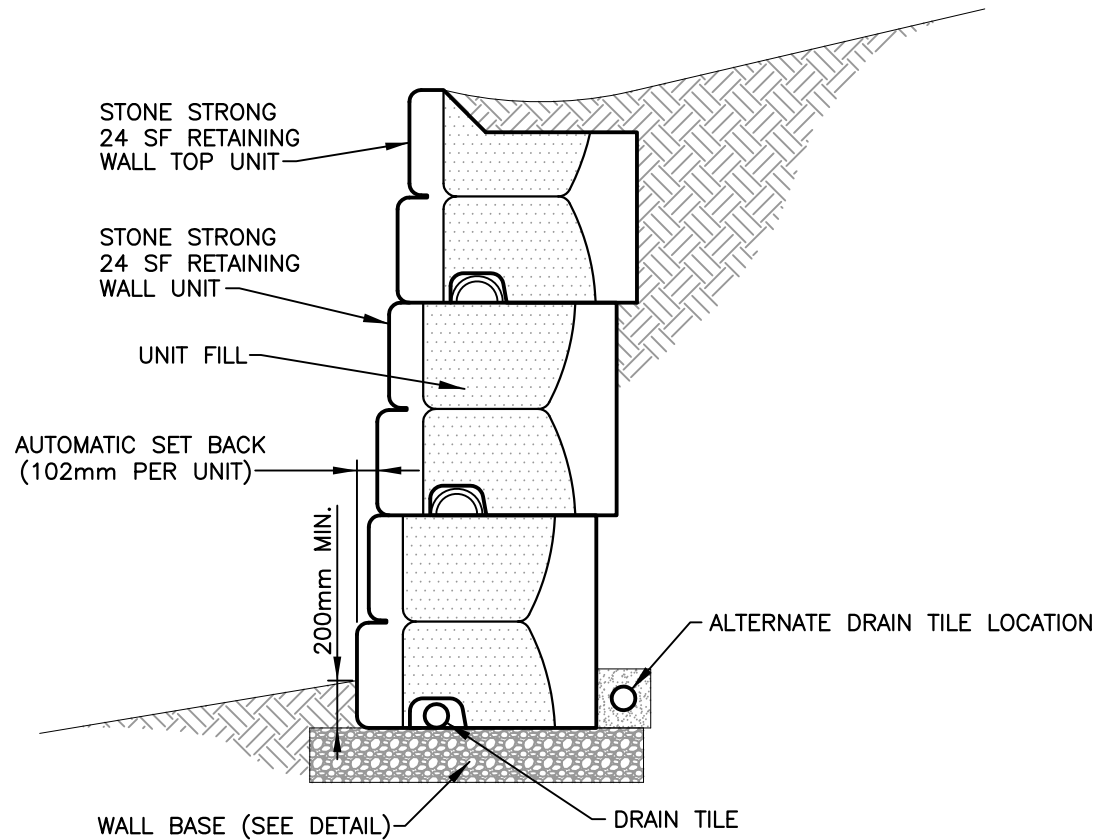


NOTES:

1. DRAIN TILE MAY BE ELIMINATED AT THE DISCRETION OF THE SITE ENGINEER.
2. DAYLIGHT DRAIN TILE AT LOW POINTS THROUGH WALL FACE OR AT ENDS; MAXIMUM SPACING 30m OR PER SITE CONDITIONS.



24 SF GRAVITY WALL CROSS SECTION
NOT TO SCALE

DISCLAIMER:

These typical details are preliminary and conceptual in nature. They are provided for general information purposes only. Anyone making use of these details and related information does so at their own risk and assumes all liability for such use. Site specific design should be performed by a licensed Professional Engineer based on the actual site conditions, materials, and local practices.

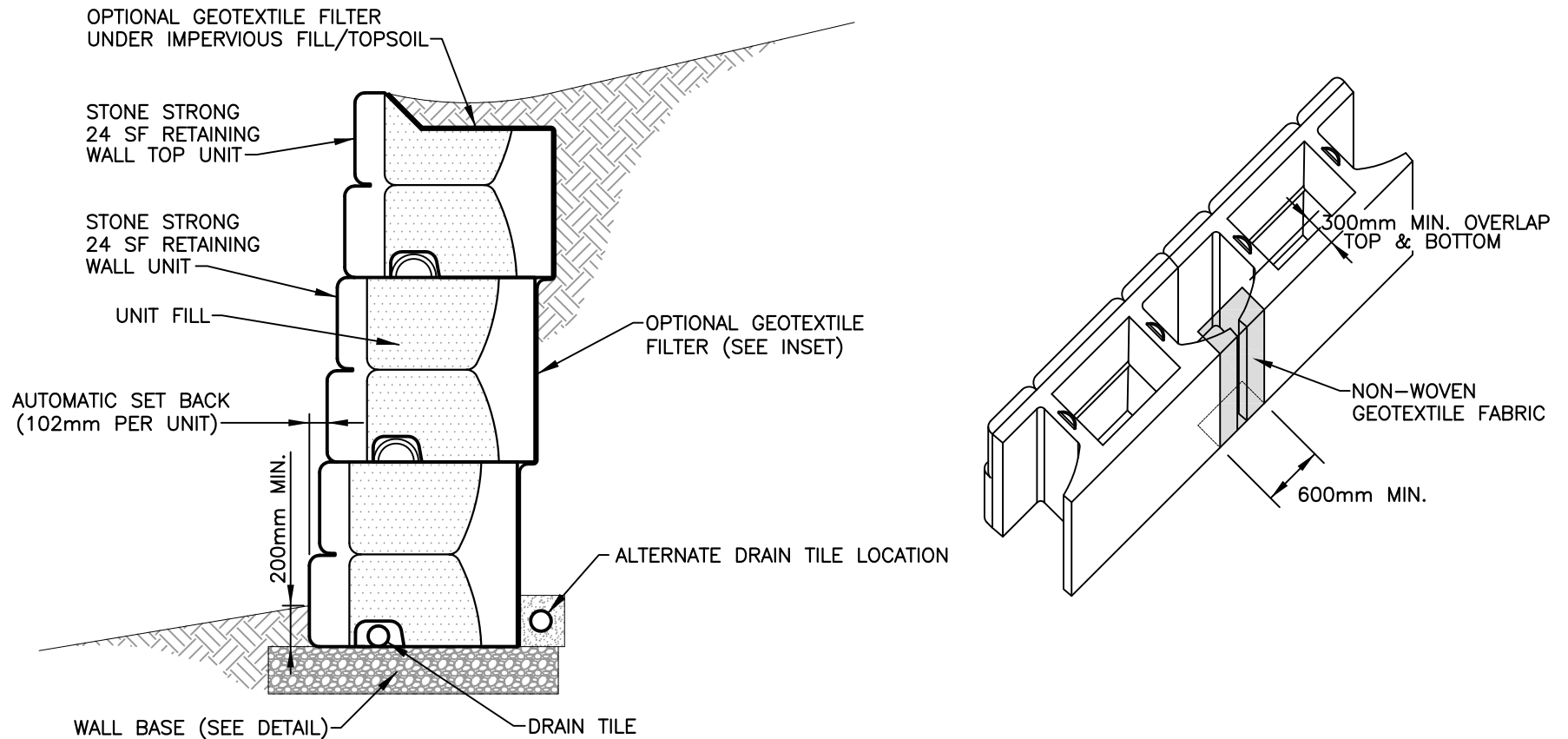
Thiele Geotech, Inc. and Stone Strong LLC are the authors of these drawings and retain all common law, statutory, and other reserved rights including the copyright. Limited license is granted to copy, reproduce, or modify the details to prepare construction documents for Stone Strong retaining walls. Thiele Geotech, Inc. and Stone Strong LLC make no warranties, either expressed or implied, of merchantability or fitness for any particular purpose, and accept no responsibility for the accuracy, suitability, or completeness of information contained herein.



PROJECT

CROSS SECTIONS
STONE STRONG SYSTEMS

DATE: 1/19/12 | FILE: 01_24sf.XSec.Grav



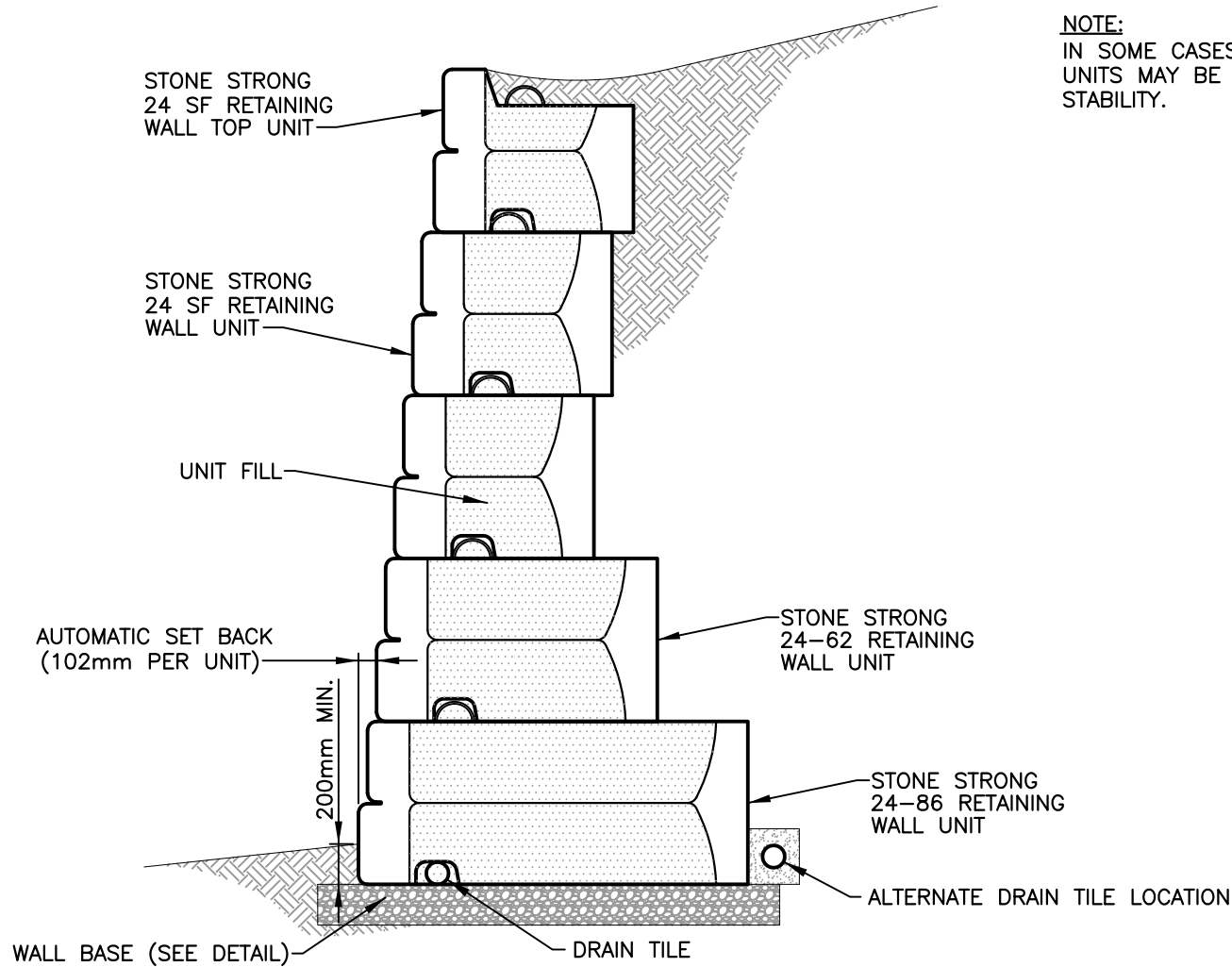
24 SF GRAVITY WALL CROSS SECTION w/GEOTEXTILE FILTER
NOT TO SCALE

DISCLAIMER:

These typical details are preliminary and conceptual in nature. They are provided for general information purposes only. Anyone making use of these details and related information does so at their own risk and assumes all liability for such use. Site specific design should be performed by a licensed Professional Engineer based on the actual site conditions, materials, and local practices.

Thiele Geotech, Inc. and Stone Strong LLC are the authors of these drawings and retain all common law, statutory, and other reserved rights including the copyright. Limited license is granted to copy, reproduce, or modify the details to prepare construction documents for Stone Strong retaining walls. Thiele Geotech, Inc. and Stone Strong LLC make no warranties, either expressed or implied, of merchantability or fitness for any particular purpose, and accept no responsibility for the accuracy, suitability, or completeness of information contained herein.

	PROJECT
	CROSS SECTIONS STONE STRONG SYSTEMS
DATE: 1/19/12 FILE: 02_24sf.XSec.Filter	



NOTE:
IN SOME CASES, TWO 24-62 OR 24-86
UNITS MAY BE REQUIRED FOR INTERNAL
STABILITY.

24 SF GRAVITY WALL CROSS SECTION w/EXTENDER SERIES BASE

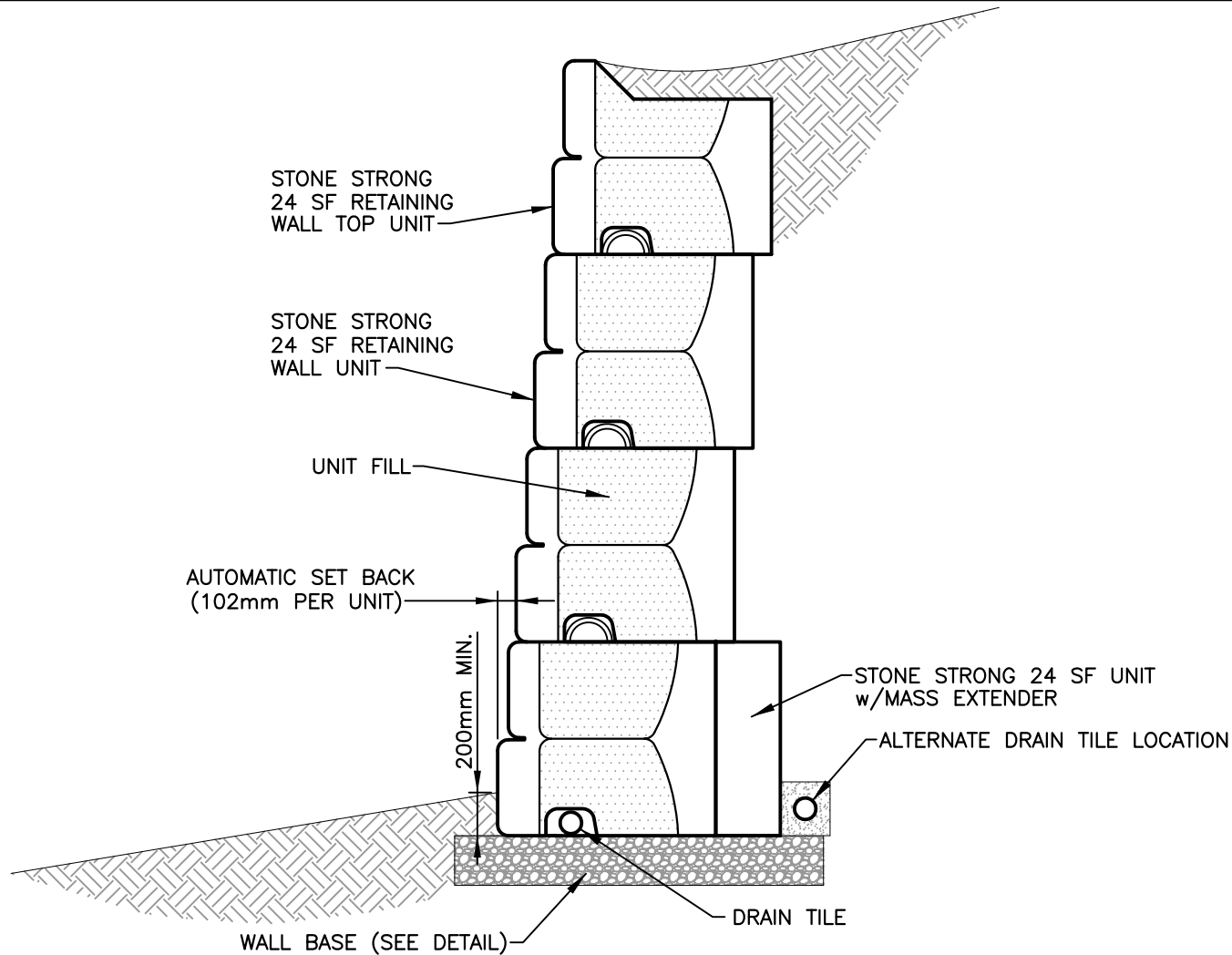
NOT TO SCALE

DISCLAIMER:

These typical details are preliminary and conceptual in nature. They are provided for general information purposes only. Anyone making use of these details and related information does so at their own risk and assumes all liability for such use. Site specific design should be performed by a licensed Professional Engineer based on the actual site conditions, materials, and local practices.

Thiele Geotech, Inc. and Stone Strong LLC are the authors of these drawings and retain all common law, statutory, and other reserved rights including the copyright. Limited license is granted to copy, reproduce, or modify the details to prepare construction documents for Stone Strong retaining walls. Thiele Geotech, Inc. and Stone Strong LLC make no warranties, either expressed or implied, of merchantability or fitness for any particular purpose, and accept no responsibility for the accuracy, suitability, or completeness of information contained herein.

	PROJECT
	CROSS SECTIONS STONE STRONG SYSTEMS
	DATE: 1/19/12 FILE: 03_ExtenderSect



24 SF GRAVITY WALL
CROSS SECTION w/MASS EXTENDER
 NOT TO SCALE

DISCLAIMER:

These typical details are preliminary and conceptual in nature. They are provided for general information purposes only. Anyone making use of these details and related information does so at their own risk and assumes all liability for such use. Site specific design should be performed by a licensed Professional Engineer based on the actual site conditions, materials, and local practices.

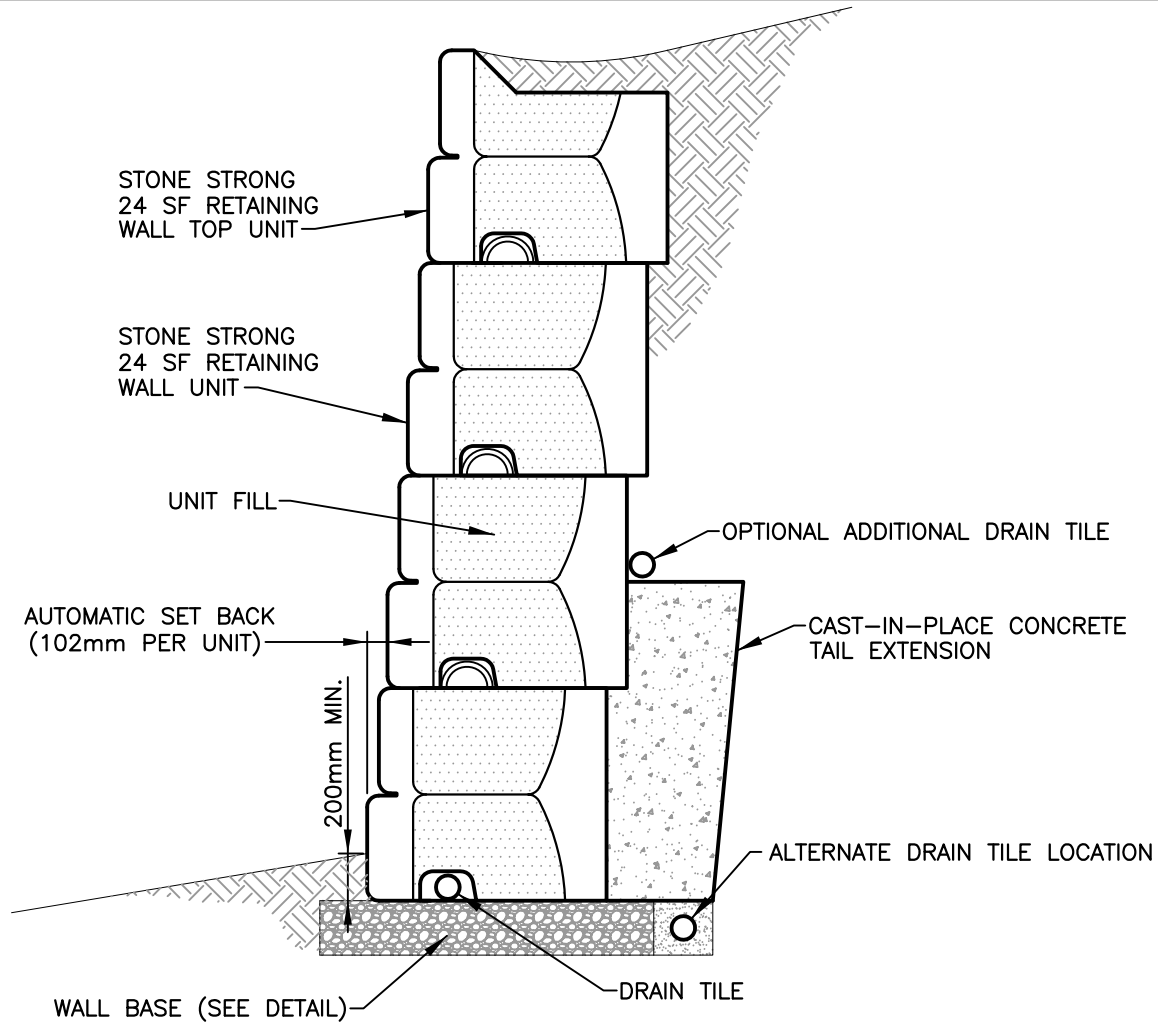
Thiele Geotech, Inc. and Stone Strong LLC are the authors of these drawings and retain all common law, statutory, and other reserved rights including the copyright. Limited license is granted to copy, reproduce, or modify the details to prepare construction documents for Stone Strong retaining walls. Thiele Geotech, Inc. and Stone Strong LLC make no warranties, either expressed or implied, of merchantability or fitness for any particular purpose, and accept no responsibility for the accuracy, suitability, or completeness of information contained herein.



PROJECT

CROSS SECTIONS
 STONE STRONG SYSTEMS

DATE: 1/19/12 | FILE: 04_24sf.XSec.Mass



24 SF GRAVITY WALL
CROSS SECTION w/CONCRETE TAIL EXTENSION
 NOT TO SCALE

DISCLAIMER:

These typical details are preliminary and conceptual in nature. They are provided for general information purposes only. Anyone making use of these details and related information does so at their own risk and assumes all liability for such use. Site specific design should be performed by a licensed Professional Engineer based on the actual site conditions, materials, and local practices.

Thiele Geotech, Inc. and Stone Strong LLC are the authors of these drawings and retain all common law, statutory, and other reserved rights including the copyright. Limited license is granted to copy, reproduce, or modify the details to prepare construction documents for Stone Strong retaining walls. Thiele Geotech, Inc. and Stone Strong LLC make no warranties, either expressed or implied, of merchantability or fitness for any particular purpose, and accept no responsibility for the accuracy, suitability, or completeness of information contained herein.

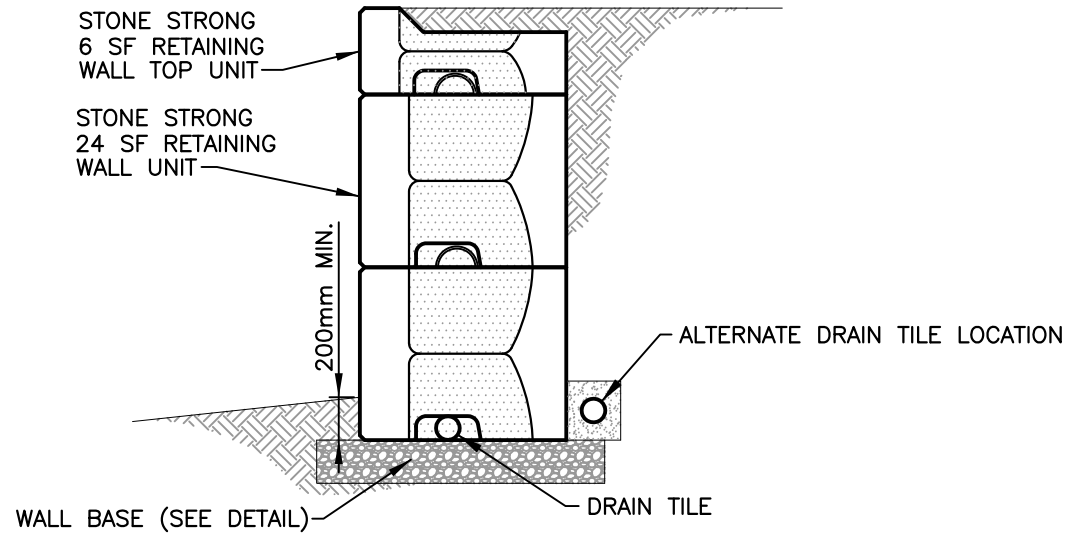


PROJECT

CROSS SECTIONS
 STONE STRONG SYSTEMS

DATE: 1/19/12 | FILE: 05_24sf.XSec.CIP

NOTE:
 VERTICAL UNITS REQUIRE A MODIFIED
 ALIGNMENT RECESS AND A MODIFIED FACE.



TYPICAL GRAVITY WALL CROSS SECTION

NOT TO SCALE

DISCLAIMER:

These typical details are preliminary and conceptual in nature. They are provided for general information purposes only. Anyone making use of these details and related information does so at their own risk and assumes all liability for such use. Site specific design should be performed by a licensed Professional Engineer based on the actual site conditions, materials, and local practices.

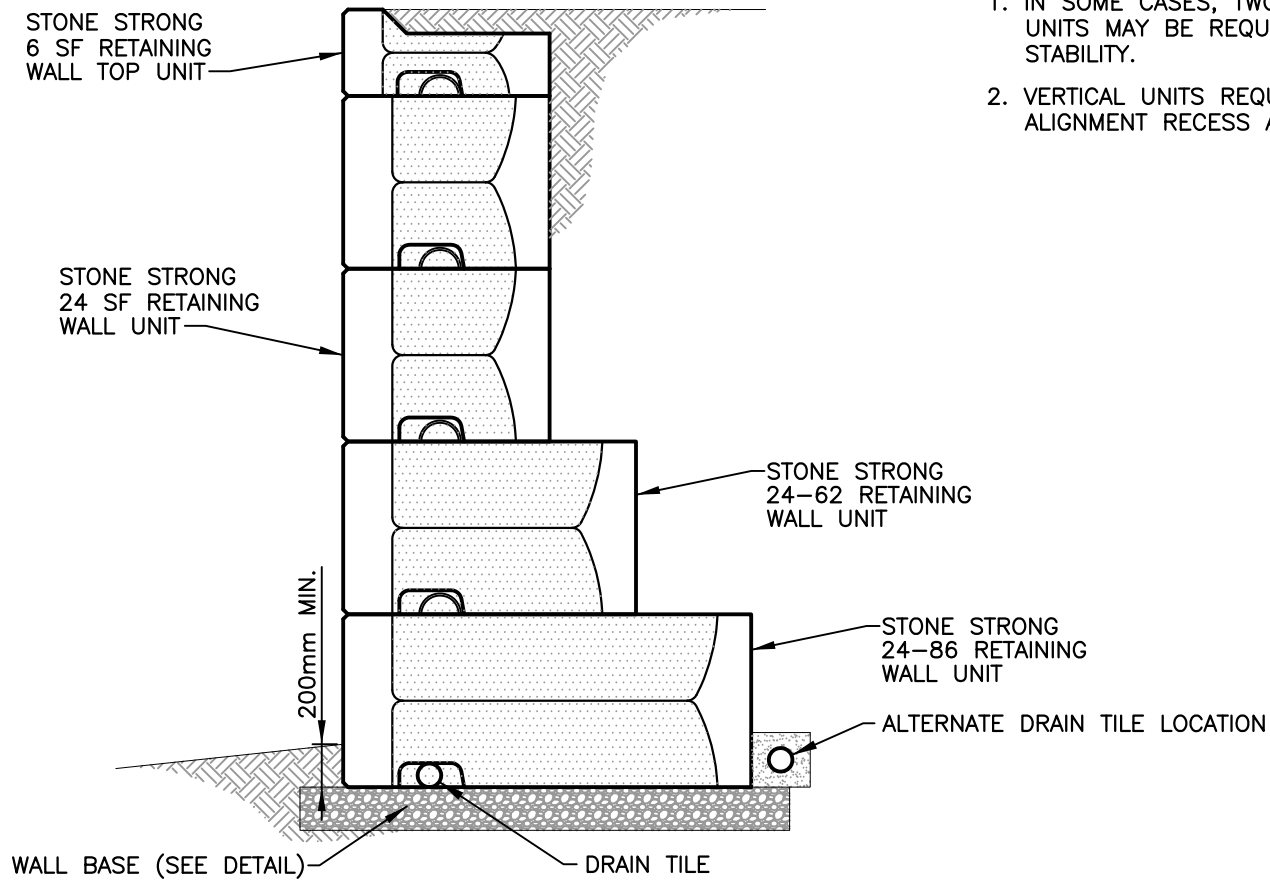
Thiele Geotech, Inc. and Stone Strong LLC are the authors of these drawings and retain all common law, statutory, and other reserved rights including the copyright. Limited license is granted to copy, reproduce, or modify the details to prepare construction documents for Stone Strong retaining walls. Thiele Geotech, Inc. and Stone Strong LLC make no warranties, either expressed or implied, of merchantability or fitness for any particular purpose, and accept no responsibility for the accuracy, suitability, or completeness of information contained herein.



PROJECT

CROSS SECTIONS
 STONE STRONG SYSTEMS

DATE: 1/19/12 | FILE: 06_V-StackSect2



NOTES:

1. IN SOME CASES, TWO 24-62 OR 24-86 UNITS MAY BE REQUIRED FOR INTERNAL STABILITY.
2. VERTICAL UNITS REQUIRE A MODIFIED ALIGNMENT RECESS AND A MODIFIED FACE.

TYPICAL GRAVITY WALL CROSS SECTION

NOT TO SCALE

DISCLAIMER:

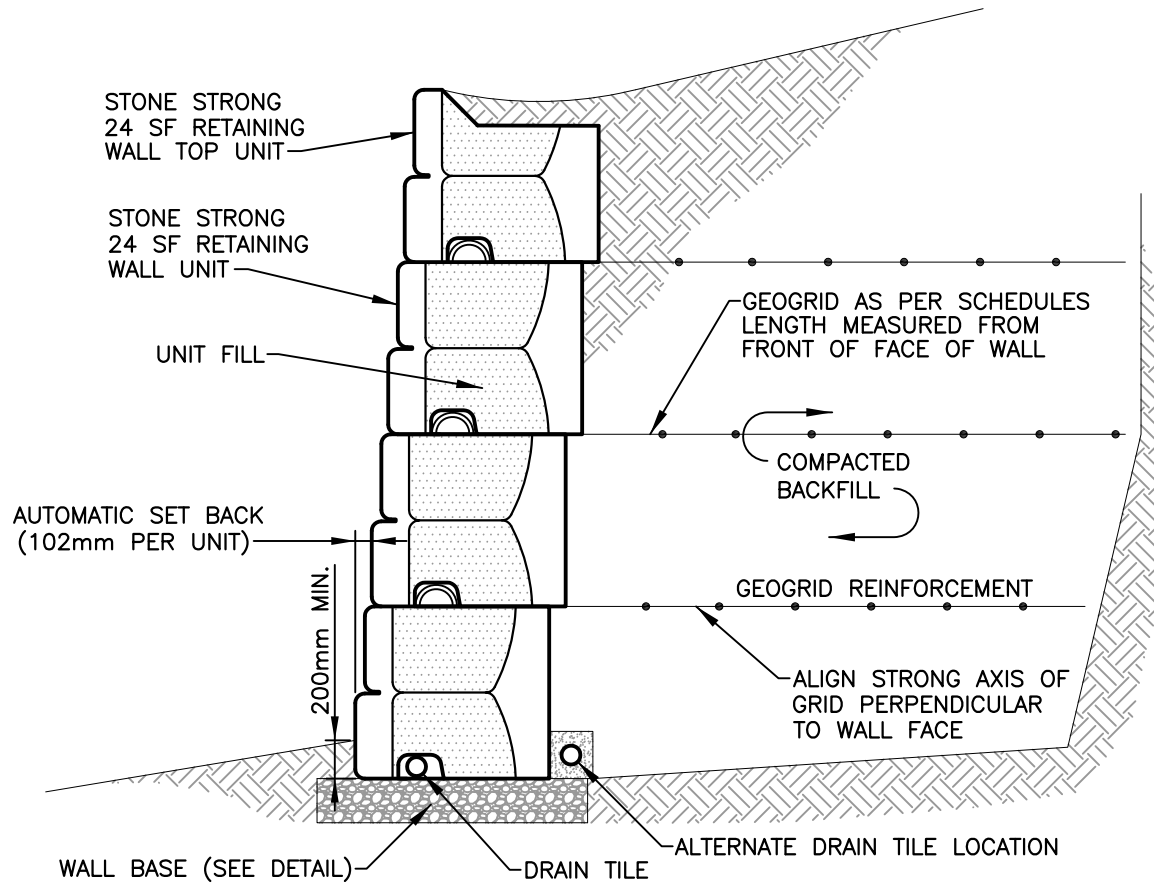
These typical details are preliminary and conceptual in nature. They are provided for general information purposes only. Anyone making use of these details and related information does so at their own risk and assumes all liability for such use. Site specific design should be performed by a licensed Professional Engineer based on the actual site conditions, materials, and local practices.

Thiele Geotech, Inc. and Stone Strong LLC are the authors of these drawings and retain all common law, statutory, and other reserved rights including the copyright. Limited license is granted to copy, reproduce, or modify the details to prepare construction documents for Stone Strong retaining walls. Thiele Geotech, Inc. and Stone Strong LLC make no warranties, either expressed or implied, of merchantability or fitness for any particular purpose, and accept no responsibility for the accuracy, suitability, or completeness of information contained herein.

	PROJECT
	CROSS SECTIONS STONE STRONG SYSTEMS
	DATE: 1/19/12 FILE: 07_V-StackSect1

NOTE:

USE REINFORCED 24 SF UNITS BELOW TOP 3.66m IN GEOGRID REINFORCED WALLS.
SEE FACE AND WEB MESH DETAILS FOR OPTIONAL REINFORCEMENT GRID.



24 SF REINFORCED WALL CROSS SECTION

NOT TO SCALE

DISCLAIMER:

These typical details are preliminary and conceptual in nature. They are provided for general information purposes only. Anyone making use of these details and related information does so at their own risk and assumes all liability for such use. Site specific design should be performed by a licensed Professional Engineer based on the actual site conditions, materials, and local practices.

Thiele Geotech, Inc. and Stone Strong LLC are the authors of these drawings and retain all common law, statutory, and other reserved rights including the copyright. Limited license is granted to copy, reproduce, or modify the details to prepare construction documents for Stone Strong retaining walls. Thiele Geotech, Inc. and Stone Strong LLC make no warranties, either expressed or implied, of merchantability or fitness for any particular purpose, and accept no responsibility for the accuracy, suitability, or completeness of information contained herein.

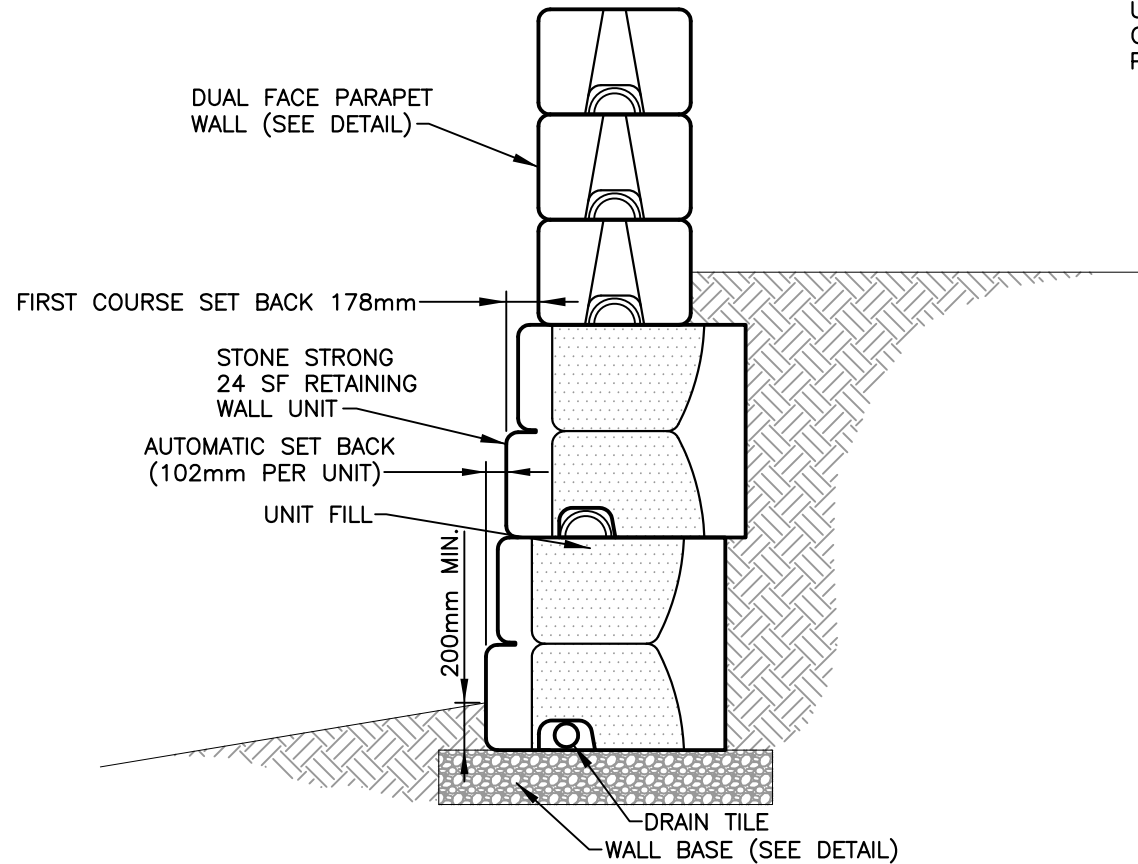
STONE®
STRONG
systems

PROJECT

CROSS SECTIONS
STONE STRONG SYSTEMS

DATE: 1/19/12 | FILE: 08_24sf.XSec.Reinf

NOTE:
 USER SHOULD DETERMINE
 CAPABILITY OR SUITABILITY OF
 PARAPET FOR BARRIER LOADING




24 SF GRAVITY WALL CROSS SECTION w/DUAL FACE PARAPET WALL

NOT TO SCALE

DISCLAIMER:

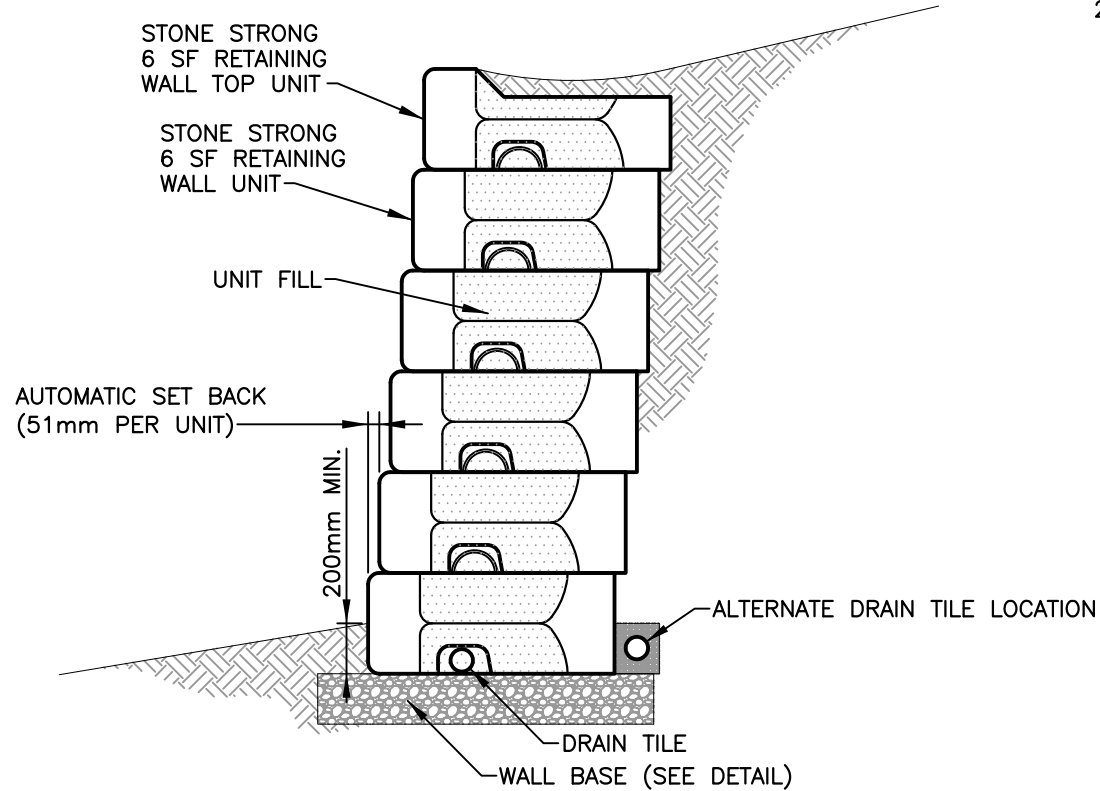
These typical details are preliminary and conceptual in nature. They are provided for general information purposes only. Anyone making use of these details and related information does so at their own risk and assumes all liability for such use. Site specific design should be performed by a licensed Professional Engineer based on the actual site conditions, materials, and local practices.

Thiele Geotech, Inc. and Stone Strong LLC are the authors of these drawings and retain all common law, statutory, and other reserved rights including the copyright. Limited license is granted to copy, reproduce, or modify the details to prepare construction documents for Stone Strong retaining walls. Thiele Geotech, Inc. and Stone Strong LLC make no warranties, either expressed or implied, of merchantability or fitness for any particular purpose, and accept no responsibility for the accuracy, suitability, or completeness of information contained herein.

	PROJECT
	CROSS SECTIONS STONE STRONG SYSTEMS
DATE: 1/19/12 FILE: 09_24sf.XSec.Parapet	

NOTES:

1. DRAIN TILE MAY BE ELIMINATED AT THE DISCRETION OF THE SITE ENGINEER.
2. DAYLIGHT DRAIN TILE AT LOW POINTS THROUGH WALL FACE OR AT ENDS; MAXIMUM SPACING 30m OR PER SITE CONDITIONS.



6 SF GRAVITY WALL CROSS SECTION

NOT TO SCALE

DISCLAIMER:

These typical details are preliminary and conceptual in nature. They are provided for general information purposes only. Anyone making use of these details and related information does so at their own risk and assumes all liability for such use. Site specific design should be performed by a licensed Professional Engineer based on the actual site conditions, materials, and local practices.

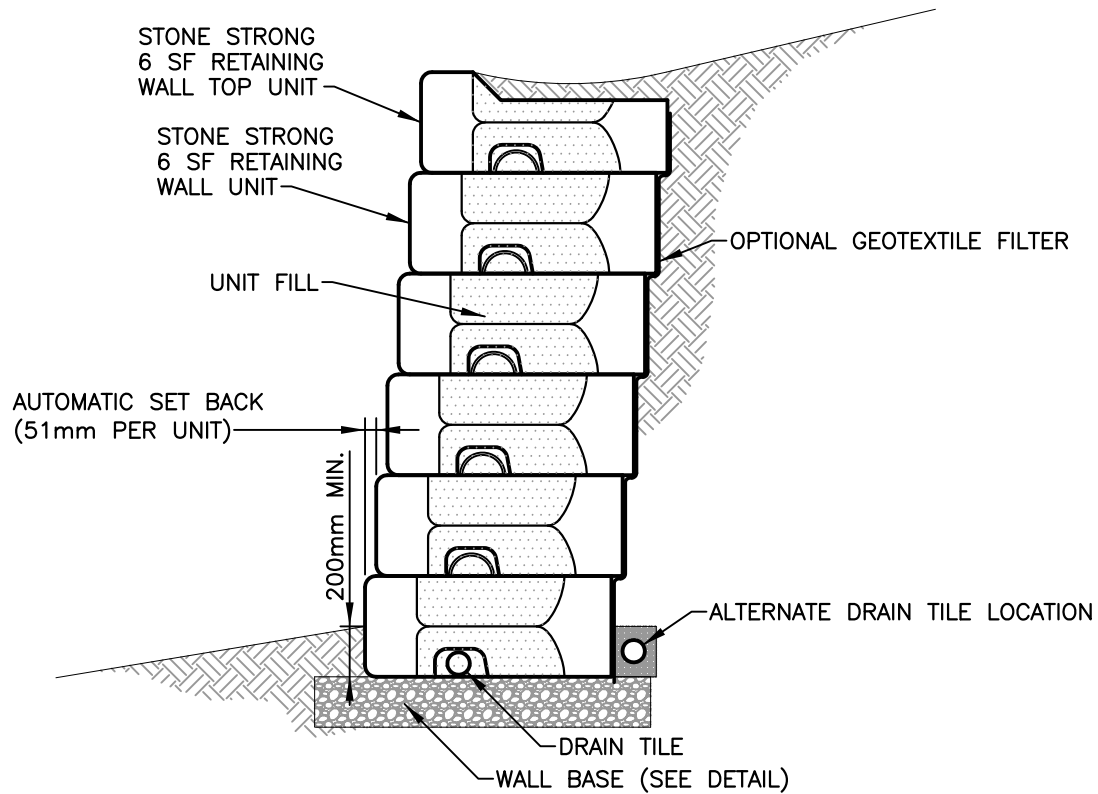
Thiele Geotech, Inc. and Stone Strong LLC are the authors of these drawings and retain all common law, statutory, and other reserved rights including the copyright. Limited license is granted to copy, reproduce, or modify the details to prepare construction documents for Stone Strong retaining walls. Thiele Geotech, Inc. and Stone Strong LLC make no warranties, either expressed or implied, of merchantability or fitness for any particular purpose, and accept no responsibility for the accuracy, suitability, or completeness of information contained herein.



PROJECT

CROSS SECTIONS
STONE STRONG SYSTEMS

DATE: 1/19/12 | FILE: 10_6sf.XSec.Grav



6 SF GRAVITY WALL CROSS SECTION w/GEOTEXTILE FILTER

NOT TO SCALE

DISCLAIMER:

These typical details are preliminary and conceptual in nature. They are provided for general information purposes only. Anyone making use of these details and related information does so at their own risk and assumes all liability for such use. Site specific design should be performed by a licensed Professional Engineer based on the actual site conditions, materials, and local practices.

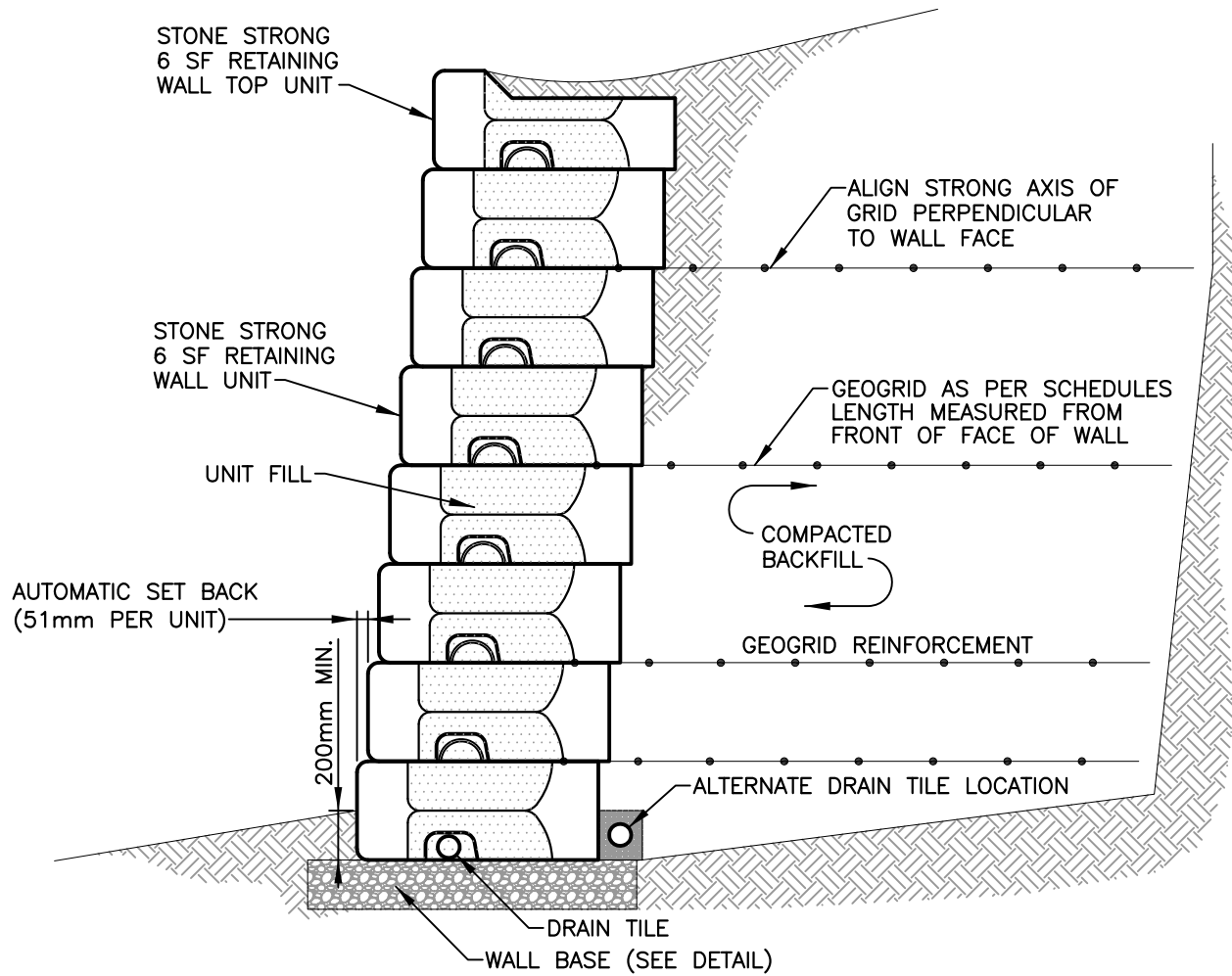
Thiele Geotech, Inc. and Stone Strong LLC are the authors of these drawings and retain all common law, statutory, and other reserved rights including the copyright. Limited license is granted to copy, reproduce, or modify the details to prepare construction documents for Stone Strong retaining walls. Thiele Geotech, Inc. and Stone Strong LLC make no warranties, either expressed or implied, of merchantability or fitness for any particular purpose, and accept no responsibility for the accuracy, suitability, or completeness of information contained herein.



PROJECT

CROSS SECTIONS
STONE STRONG SYSTEMS

DATE: 1/19/12 | FILE: 11_6sf.XSec.Filter



6 SF REINFORCED WALL CROSS SECTION

NOT TO SCALE

DISCLAIMER:

These typical details are preliminary and conceptual in nature. They are provided for general information purposes only. Anyone making use of these details and related information does so at their own risk and assumes all liability for such use. Site specific design should be performed by a licensed Professional Engineer based on the actual site conditions, materials, and local practices.

Thiele Geotech, Inc. and Stone Strong LLC are the authors of these drawings and retain all common law, statutory, and other reserved rights including the copyright. Limited license is granted to copy, reproduce, or modify the details to prepare construction documents for Stone Strong retaining walls. Thiele Geotech, Inc. and Stone Strong LLC make no warranties, either expressed or implied, of merchantability or fitness for any particular purpose, and accept no responsibility for the accuracy, suitability, or completeness of information contained herein.



PROJECT

CROSS SECTIONS
STONE STRONG SYSTEMS

DATE: 1/19/12 | FILE: 12_6sf.XSec.Reinf